

Manual



PR1

Function

The PR1 liquid flow switch is suitable for control and monitoring in installations where a functional value (impulse transmission) from 100 l/min and upwards is acceptable.

The function value is dependent on the pipe dimension and paddle length. The lowest functional value (switching value) that can be obtained in a 50 pipe is about 90 l/min = 0.7 m/sec. For a 150 pipe, the corresponding value is about 240 l/min = 0.2 m/sec.

The paddle is lodged so that it can be folded in either direction. It always moves in the direction of the flow and can therefore never be damaged due to possible recoil shocks. However, the contact function only occurs in the pre-determined direction of flow.

The movement of the paddle with the flow affects a lever that actuates a built-in micro-switch. The paddle length determines the signal point at which the switch changes position.

As standard, the parts wetted by liquid are made of a copper alloy and stainless steel. The paddle is suspended in teflon bearings. Sealing sleeve for pivoting Nitrile bushing (HNBR).

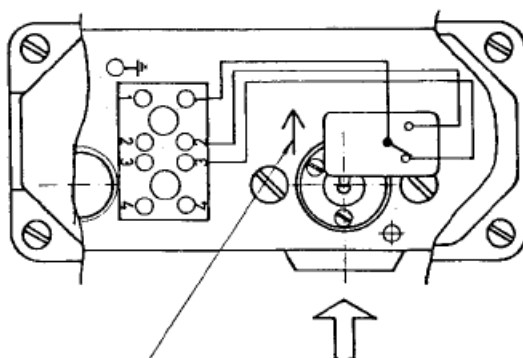
Model

PR1 can be used for pipe sizes 2" – 10".

The PR1 has a built-in micro-switch with alternating contact function.

Installation instructions

- The PR1 is mounted in a 1" half sleeve on the pipe.
- The position of the switch is fixed and can only be mounted in horizontal lines with the impulse cover facing upwards.
- Make sure that the direction of flow is aligned with the arrow on the bottom plate under the cover.



When mounting, make sure that the flow is in the direction of the arrow.

- There should be a straight pipe section about 3 times the pipe diameter before and after the switch.
- The switch is supplied with a paddle for 10". Cut the paddle to the desired pipe size before mounting; see the table below.

Max. paddle length		
Pipe size		L mm
2"	50	22
2 ½"	65	38
3"	80	52
4"	100	75
5"	125	100
6"	150	125
8"	200	175
10"	250	200

Micro-switch change-over	Switch-on l/min	Switch-off l/min
DN 50	> 125	< 75
DN 65	> 150	< 100
DN 80	> 200	< 150
DN 100	> 300	< 200
DN 150	> 350	< 250
Note: Only approximate values!		

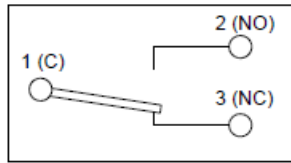
PR1 specifications

- Alarm point: Not exact. The switch is only used to indicate flow or no flow.
- Connections: 1" half sleeve on pipe size from DN50.
- Max. pressure: 25 bar
- Max. fluid temperature: 125 °C
- Min. liquid temperature: -20 °C
- Protection class: IP 65 with M16 GR cable gland included.
- Wetted materials: Dezincification-resistant brass, stainless steel 316 and PTFE Nitrile (HNBR) seals. Optional EPDM and FPM (Viton)
- Enclosure material: Polycarbonate (Lexan®)
- Micro-switch: SPDT, 1-pole 2-way connector. In the standard design, the contact surfaces are silver-plated. Max. load 250 V/8 A Nominal, 250 V/10 A Thermal.

Electrical data

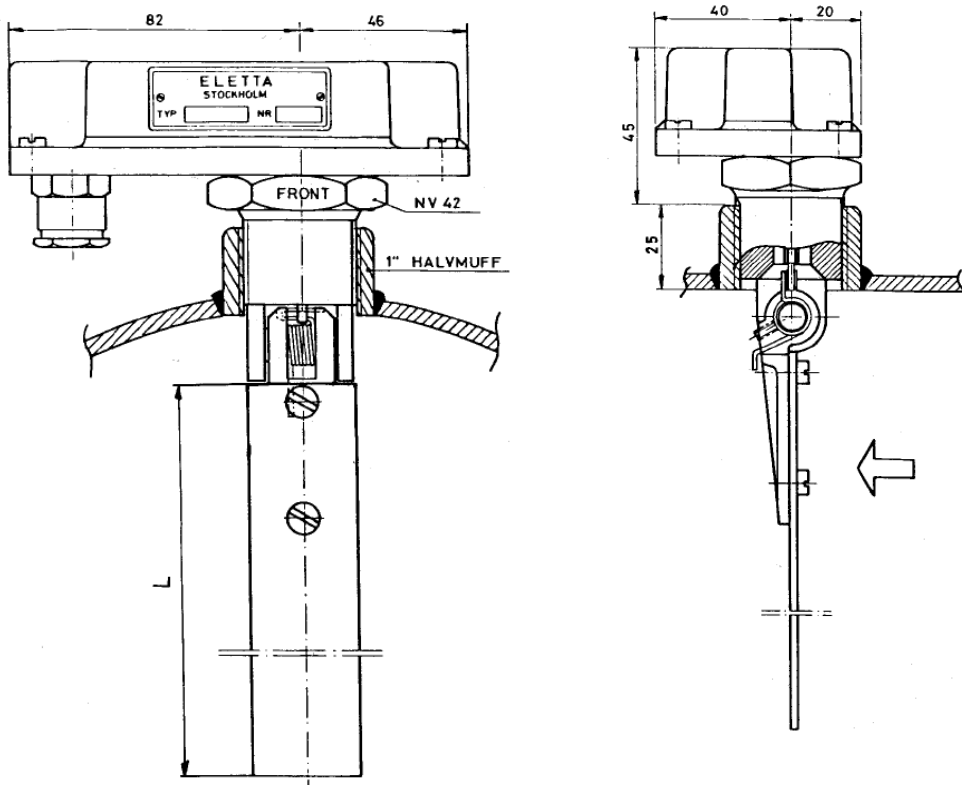
PR1 micro-switch

Contact function 1 pole, 2-way



- 1: Black
- 2: Blue
- 3: Brown

Dimensions and weight



Weight: 0.7 kg

Eletta Flow AB
Box 5084
SE-141 05 Kungens Kurva, Sweden
08 – 603 07 70
info@eletta.com www.eletta.com

Proprietary Rights

This manual contains confidential technical data, including trade secrets and proprietary information, which are the property of Eletta Flow AB, Sweden. Any changes or alterations to downloaded or printed Eletta original documentation such as manuals, drawings, leaflets, newsletters, etc. are not permitted without written permission from Eletta Flow AB, Sweden. This data is only disclosed to you under the permission of limited use within your company. Use for manufacturing or processing is not permitted. Any other use of data and information is strictly prohibited without prior written permission from Eletta Flow AB, Sweden.