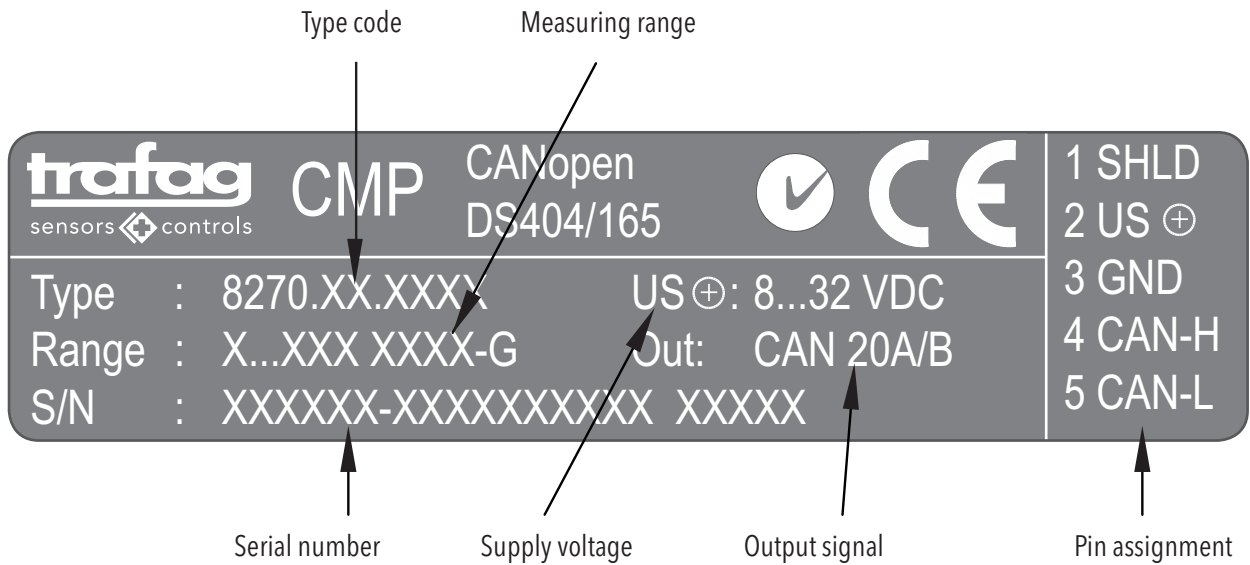


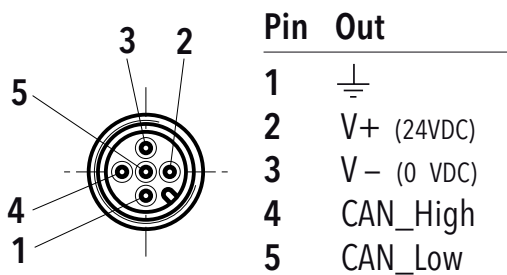
Technical specification

Mounting torque: max. 25 Nm
Ambient temperature: -40°C ... +125°C
Media temperature: -50°C ... +135°C

Type label description



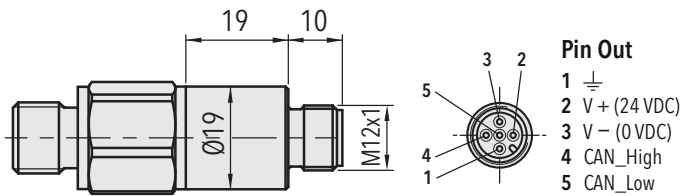
Electrical connections



CANopen-protocol

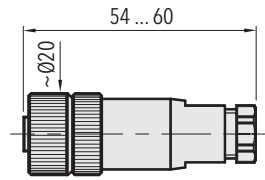
Output signal:	CAN BUS (ISO 118982)
CANopen:	DS-301 V4.0
Device profile:	DS-404 V1.2
Baudrate:	10kbit/s...1Mbit/s, Auto
Error control:	Nodeguarding, Heartbeat
Node ID:	LSS (DSP 305 V2.0) full implemented, proprietary
No. of PDO's:	4 Tx
PDO modes:	event-/time-triggered remotely requested sync (cyclic), sync (acyclic)
PDO linking:	yes
PDO mapping:	yes
No. of SDO's:	1 server
Emergency message:	yes
CiA certified:	yes

Electrical connections



Pin Out

- 1 \perp
- 2 V+ (24 VDC)
- 3 V- (0 VDC)
- 4 CAN_High
- 5 CAN_Low

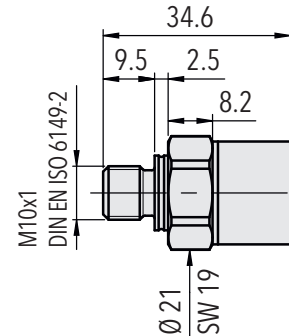
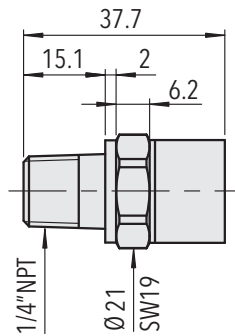
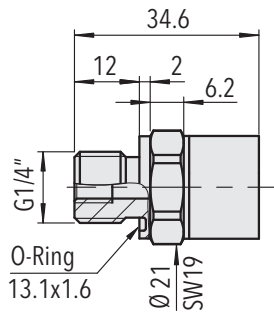


8270.XX.XXXX.35.XX.XX

8270.XX.XXXX.XX.XX.33

Pressure connections

≤ 0 ...2.5 bar

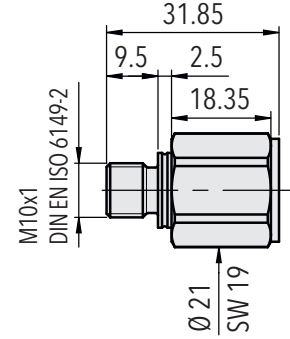
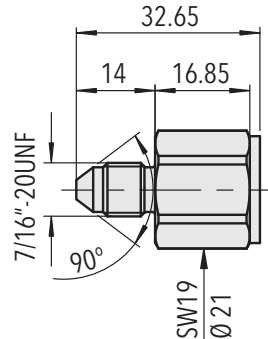
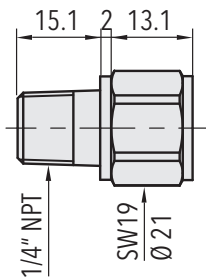
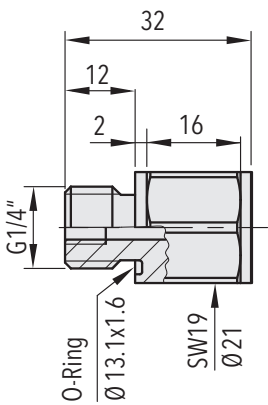


8270.XX.XX.17.XX.XX.XX

8270.XX.XX.30.XX.XX.XX

8270.XX.XX.32.XX.XX.XX

> 0 ...2.5 bar

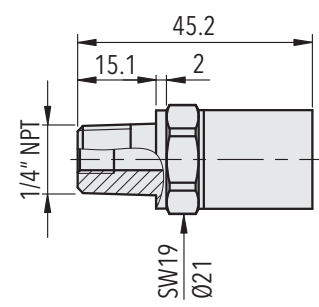
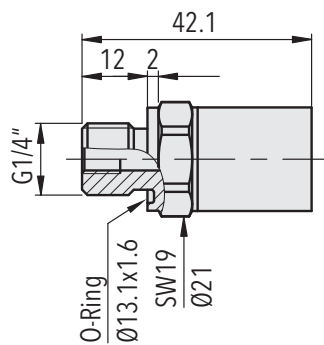
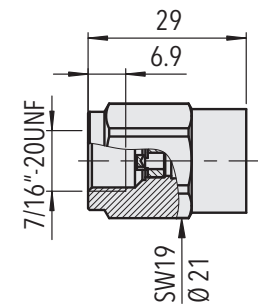


8270.XX.XX.17.XX.XX.XX

8270.XX.XX.30.XX.XX.XX

8270.XX.XX.18.XX.XX.XX

8270.XX.XX.32.XX.XX.XX



8270.XX.XX.24.XX.XX.XX

8270.XX.4417.XX.XX.XX

8270.XX.4430.XX.XX.XX