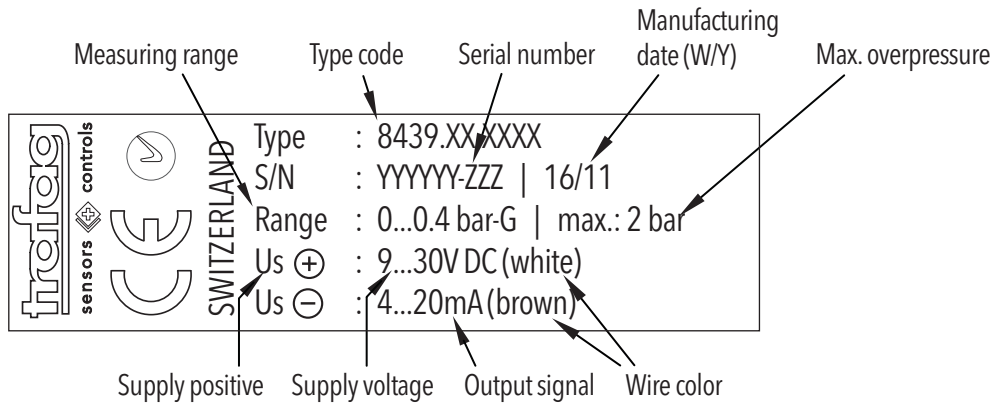


**Technical specification**

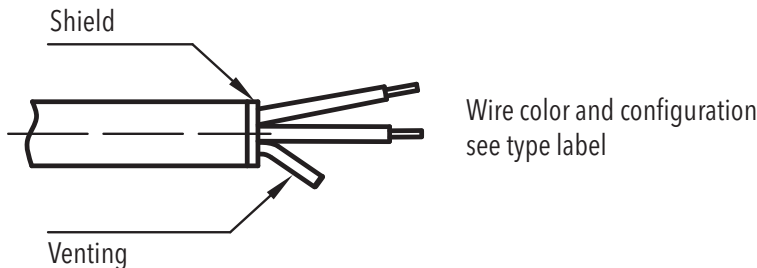
Operating and media temperature: Max. -25°C ... +70°C  
(Cable PE: -25°C ... +65°C)

Storage temperature: -40°C ... +80°C  
(Cable PE: -40°C ... +65°C)

**Type label description**



**Electrical connections**



**Output**

4 ... 20 mA

**Load resistance**

$(U_{\text{Supply}} - 9V) / 20\text{mA}$

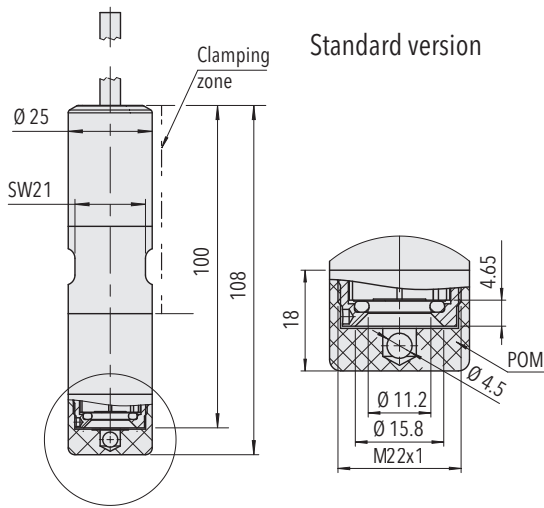
**U<sub>SUPPLY</sub>**

24 (9 ... 30) VDC

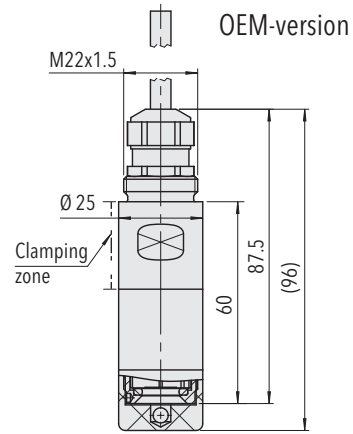
Shield in the device is not connected.  
In applications with conductive media, shield and ground on the cable end side must not be connected.

Ventilation via cable end. The cable may be shortened but the venting through the venting tube has to be provided.  
The cable end has to be installed in an environment of non-condensing humidity.

## Pressure connections



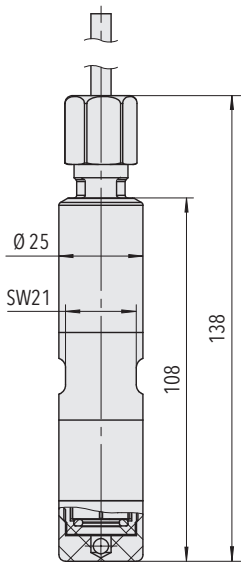
Standard version



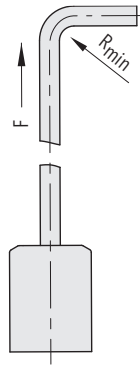
OEM-version

8439.XX.XX58/55.XX.XX.XX

8439.XX.XX56/50.XX.XX.XX



Serto adapter SO 50021-12  
for stainless steel tubes with:  
outer diameter 12 mm  
inner diameter 8 mm



F = max. 12 kg (120 N)  
Minimum cable bending radius  $R_{min}$ :  
Electrical connection: 2X (PUR): 40 mm  
3X (Radox): 60 mm  
4X (PE): 30 mm

8439.XX.XX60.XX.XX.XX

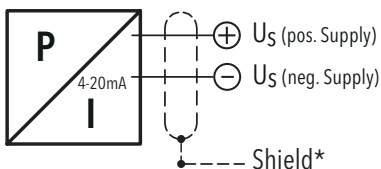
For cleaning purposes, the black protection cap can be removed.

The transmitter should be cleaned with a detergent, compatible with the transmitter materials as listed in the datasheet [www.trafag.com/H72336](http://www.trafag.com/H72336).

It is strongly recommended to refrain from any mechanical cleaning of the ceramic membrane as it is very sensitive and can easily be damaged.

## Connection of the measuring equipment

### Current output 2-wires



\* Shield not connected