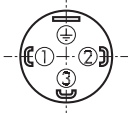

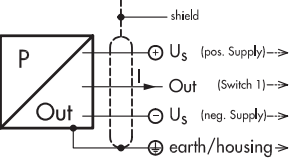



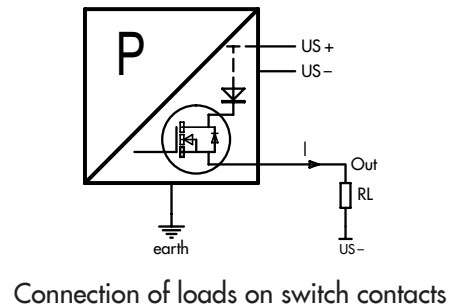
Technical specification

Supply Voltage: 24 (9...32) VDC
 Switching current: ≤ 0.5 A @ -40...+85°C (Option: ≤ 0.4 A @ +85...+125°C)
 Mounting torque: 25 Nm
 Ambient temperature: -25°C ... +85°C (Option: -40°C ... +125°C)
 Media temperature: -40°C ... 125°C
 Switchpoint: Factory set or programmable on site with Trafag's Sensor Communicator SC (electrical connection 04 only)

Electrical connections

Protection	IP65 (IP67)	IP69K
Execution	EN175301-803-A (DIN43650-A)	Cable*
Switch Output		 Abschirmung écran / shield
 8320.XX.XXXX.XX.T1	1 2 3 	brown blue black yellow/green

* Ventilation via cable end



Programming device Sensor Communicator SC



Sensor Communicator SC

Programming cable with connector
EN175301-803-A

Manual see:
www.trafag.com/H73699 (english) H73698 (german)

Ordering No.

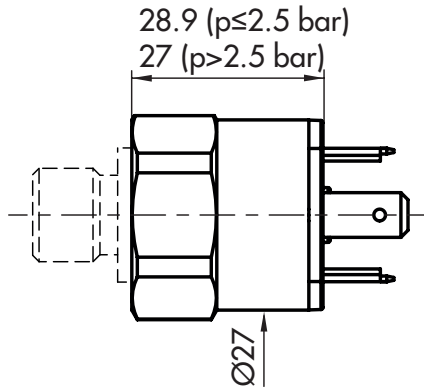
F88030

F88049

H73333e Trafag AG 02/2019

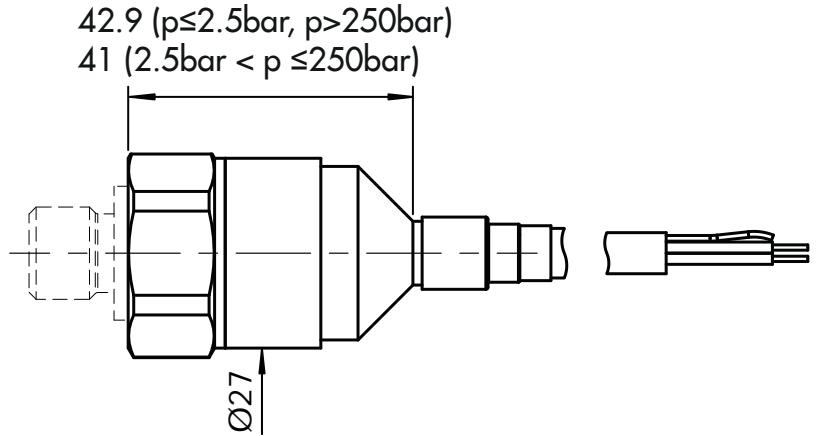
We reserve the right to make alternations as technical progress may warrant.

DIMENSIONS



8320.XX.XXXX.04.XX.XX

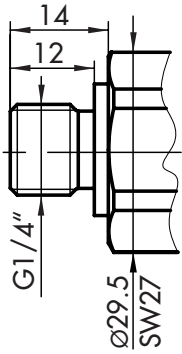
Switchpoint factory set or programmable on site with Trafag Sensor Communicator SC



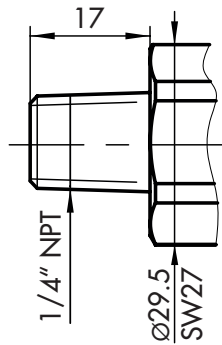
8320.XX.XXXX.78.XX.XX

8320.XX.XXXX.88.XX.XX

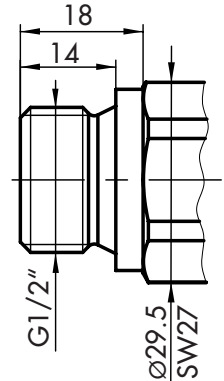
Switchpoint factory set



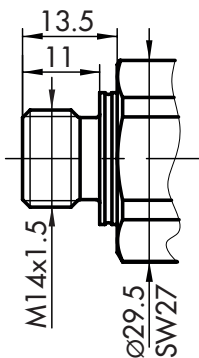
8320.XX.XX17.XX.XX



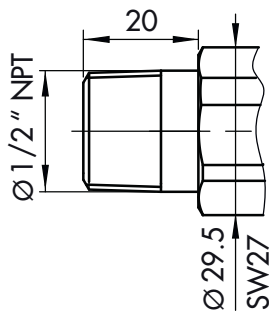
8320.XX.XX30.XX.XX



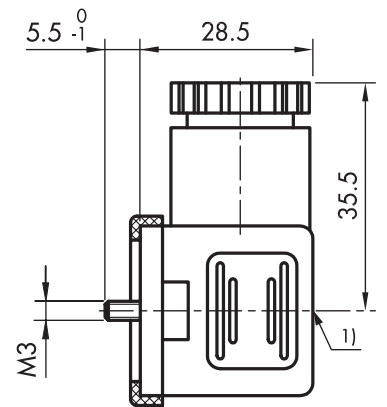
8320.XX.XX21.XX.XX



8320.XX.XX22.XX.XX



8320.XX.XX51.XX.XX



1) Torque moment 50...60 Ncm

8320.XX.XXXX.XX.XX.58