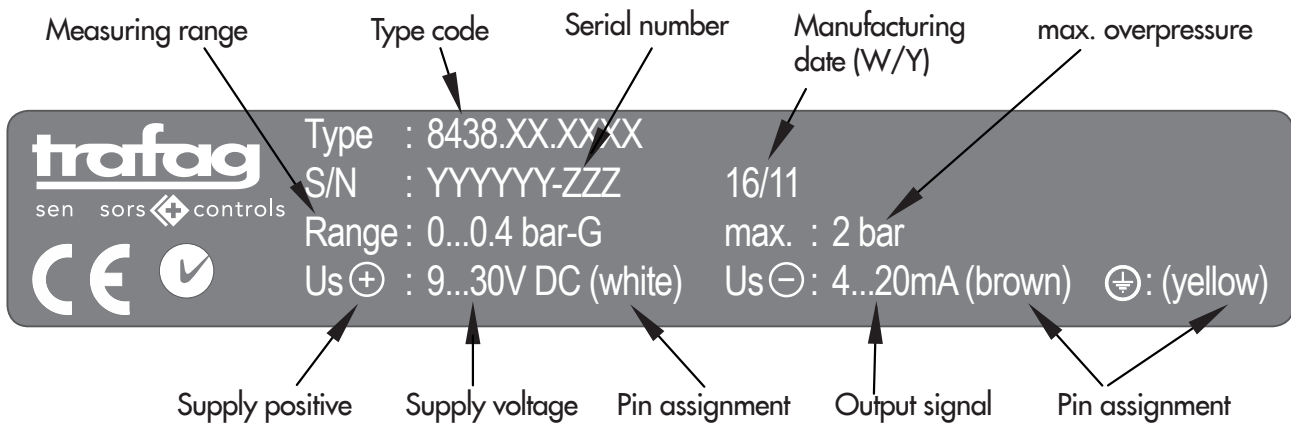


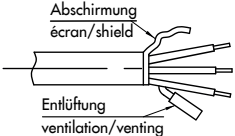
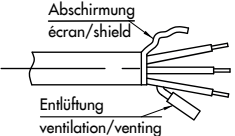
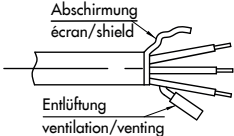
**Technical specification**

Mounting torque: 15 ... 20 Nm not lubricated  
Ambient and media temperature: -25°C ... +80°C  
Storage temperature: -40°C ... +80°C

**Type label description**



**Electrical connections**

<b>Ingress Protection</b>	IP68	IP68	IP68
<b>Designation</b>	Cable* PUR ø 6 mm	Cable* FEP ø 6 mm	Cable* PE ø 6 mm
<b>Type code</b>	<b>8438.XX.XXXX.22</b>	<b>8438.XX.XXXX.32</b>	<b>8438.XX.XXXX.42</b>
<b>Pin configuration</b>			

**Output**  
4 ... 20 mA

**Load resistance**  
(U<sub>Supply</sub> - 9V) / 20mA

I<sub>SUPPLY</sub>

U<sub>SUPPLY</sub>  
9 ... 30 VDC

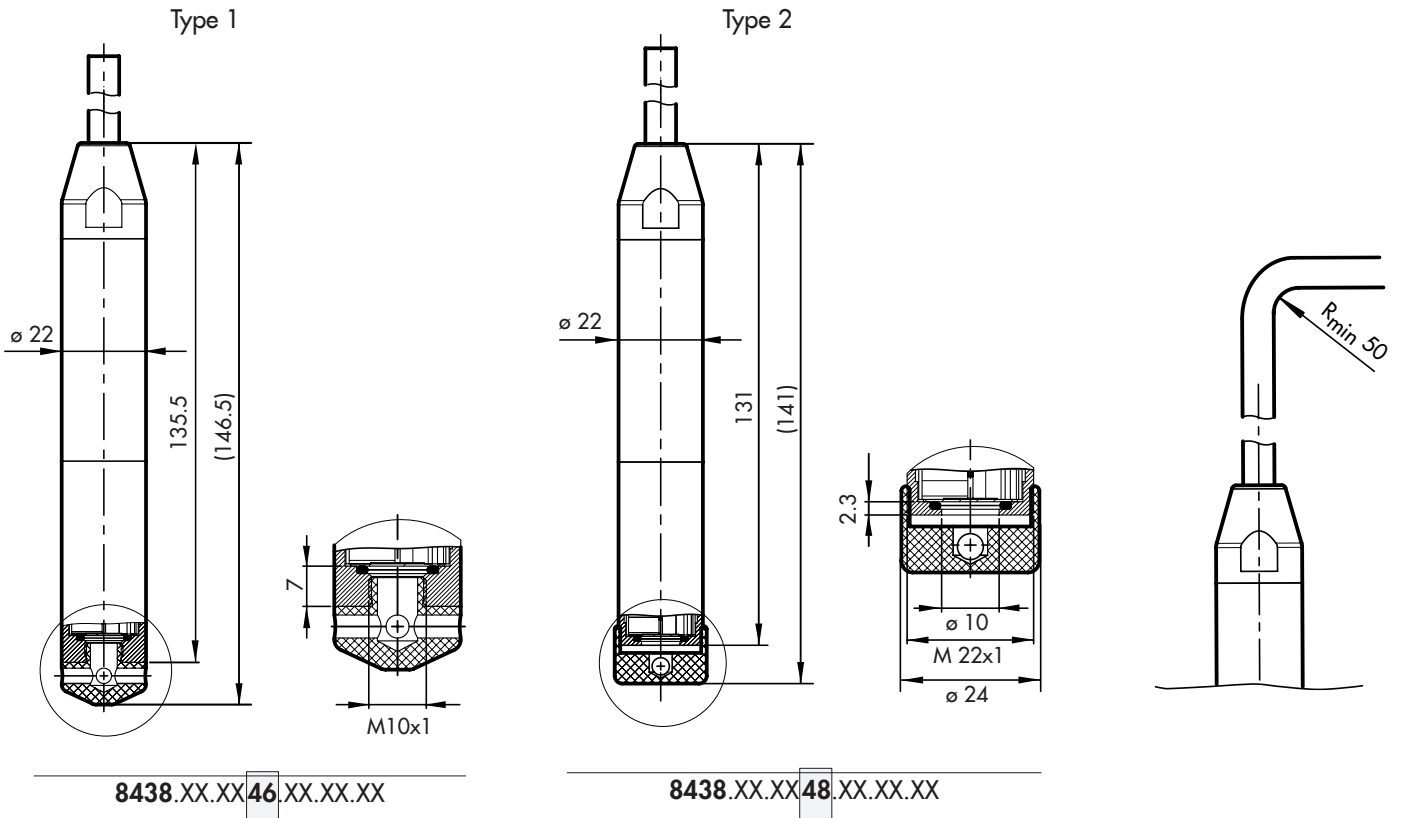
\* Ventilation via cable end

Shield in the device is not connected

Any manipulation on the ventilation tube will result in warranty loss

For level measurement applications on ships under certification GL (German Lloyd), the cable of such transmitters must be installed inside the tank only.

## Pressure connections



For cleaning purposes, the black protection cap can be removed.

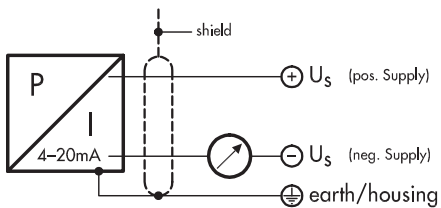
The transmitter should be cleaned with a detergent, compatible with the transmitter materials as listed in the datasheet <http://www.trafag.com/H72328>.

It is strongly recommended to refrain from any mechanical cleaning of the ceramic membrane as it is very sensitive and can easily be damaged.

## Connection of the measuring equipment

### Current output 2-wires

single arrangement



multiple arrangement

