

SANITARY DIAPHRAGM SEAL



Features

- Quick connect/disconnect
- Laser welded flush diaphragm
- DIN, SMS connections

Application

- Food & beverages industries
- Dairy & icecream industries
- Pharmaceutical & Cosmetics

Certificate

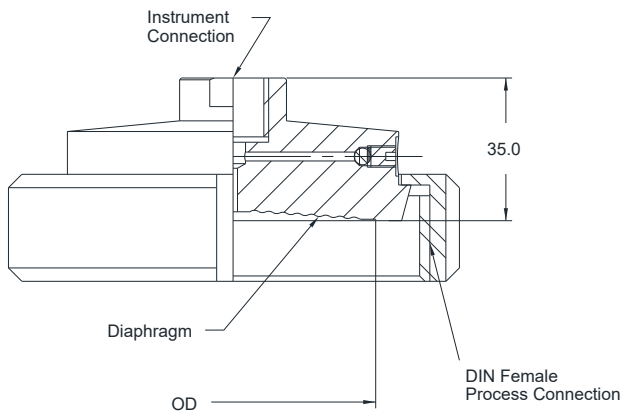


Standard parameters	
Range type	1 ... 40 bar
Chamber material	AISI 316 SS
Diaphragm	AISI 316L SS
Instrument connection ¹	1/2" NPT (F) or 1/2" BSP (F) or 1/4" BSP (F)
Sealing fluid	Food Grade oil [-20°C to 140°C]
Process connection	Union-nut (DIN 11851 / SMS)
Assembly	Direct

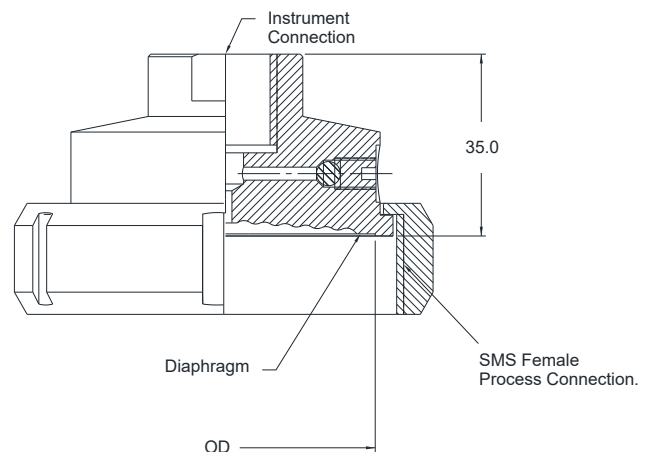
1) Other process/instruments connections are available.

Dimensions - All dimensions are in mm

Standard: DIN 11851



Standard: SMS



Connection size vs range chart					
DIN	Size	25	32	40	50
	Diaphragm Size (OD) in mm	35/25	38/32	48/40	59/52
	Range (bar)	0 ... 10 to 0 ... 40	0 ... 2,5 to 0 ... 40	0 ... 1 to 0 ... 40	0 ... 0,6 to 0 ... 40
SMS	Size	1"	1 1/2"	2"	-
	Diaphragm Size (OD) in mm	30/23	45/36	58/51	-
	Range (bar)	0 ... 10 to 0 ... 40	0 ... 2,5 to 0 ... 40	0 ... 1 to 0 ... 40	-

Ordering code

		TD302	XXX	-	XXX	-	XX	-	XX	-	XXX	-	XX	-	XXX	-	XX	-	XX	
1. Range Type¹	1 ... 40 bar		S36																	
2. Standart Type	DIN 11851				T40															
	SMS				T41															
3. Chamber material	AISI 316 SS						LF													
	AISI 316L SS						LG													
4. Diaphragm material	AISI 316L SS								DG											
5. Instrument connection	1/2" NPT (F)												04N							
	1/4" BSP (F)												02B							
	1/2" BSP (F)												04B							
	1/4" NPT (F)												02N							
6. Sealing fluid	Food grade oil [-20°C to 140°C]															OF				
7. Process connection (union NUT)	1" Connection (DN25)																		T01	
	1 1/4" Connection (DN32)																		T14	
	1 1/2" Connection (DN40)																		T15	
	2" Connection (DN50)																		T02	
8. Assembly	Direct																		B8	
9. Other Option	Material Test Certificate 2.2																			TM
	Material Test Certificate 3.1																			TC

¹⁾ Refer range vs connection size table

NOTES:

All metall diaphragms are laser welded to the top Chamber.