

SANITARY DIAPHRAGM SEAL



Features

- Quick connect/disconnect
- Laser welded flush diaphragm
- Tri-clamp connection

Application

- Food & beverages industries
- Dairy & icecream industries
- Pharmaceutical & Cosmetics

Certificate

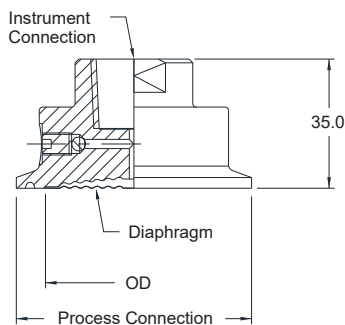


Standard parameters	
Range type	-1 ... 0 bar to 0 ... 40 bar Tri-Clover (Type S31 or S32)
Chamber material	AISI 316 SS
Diaphragm	AISI 316LSS
Instrument connection ¹	1/2" NPT (F) or 1/2" BSP (F) or 1/4" BSP (F)
Sealing fluid	Food Grade oil [-20°C to 140°C]
Process connection	1" up to 2.5" Connection
Assembly	Direct

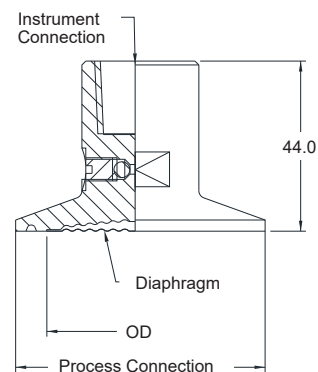
1) Other process/instruments connections are available.

Dimensions - All dimensions are in mm

Type S31



Type S32



Connection size vs range chart				
Thread size	1"	1 1/2"	2"	2 1/2"
Diaphragm Size (OD) in mm	35/25	38/32	48/40	62/52
Range (bar)	0 ... 10 to 0 ... 40	0 ... 1 to 0 ... 40	0 ... 0,6 to 0 ... 40	-1 ... 0 to 0 ... 40

Ordering code

		TD301	XXX	-	XX	-	XX	-	XXX	-	XX	-	XXX	-	XX	-	XX		
1. Range Type¹	-1 ... 0 bar to 0 ... 40 bar Tri-Clover		S31																
	-1 ... 0 bar to 0 ... 40 bar Tri-Clover		S32																
2. Chamber material	AISI 316 SS						LF												
	AISI 316L SS						LG												
3. Diaphragm material	AISI 316L SS							DG											
4. Instrument connection	1/2" NPT (F)												04N						
	1/4" BSP (F)												02B						
	1/2" BSP (F)												04B						
	1/4" NPT (F)												02N						
5. Sealing fluid	Food grade oil [-20°C to 140°C*]																OF		
6. Tri-clover connection	1" Connection																	T01	
	1,5" Connection																	T15	
	2" Connection																	T02	
	2,5" Connection																	T25	
7. Assembly	Direct																	B8	
8. Other Option	Material Test Certificate 2.2																		TM
	Material Test Certificate 3.1																		TC

¹⁾ Refer range vs connection size table

NOTES:

All metall diaphragms are laser welded to the top Chamber.