

RAILWAY PRESSURE TRANSMITTER

Swiss based Trafag is a leading international supplier of high quality sensors and monitoring instruments for measurement of pressure and temperature.



Applications

- Railways

Features

- Dielectrical strength: 710 VDC, meets EN 50155 (Railways)
- Measuring ranges from 100 mbar
- Relative or absolute pressure measurement
- Frontal membrane optional

Technical Data

Measuring principle	Thick-film-on-ceramic	Media temperature	-25°C ... +125°C
Measuring range	0 ... 0.1 to 0 ... 60 bar 0 ... 1.5 to 0 ... 1000 psi	Ambient temperature	-25°C ... +125°C
Output signal	4 ... 20 mA	Approval / conformity	EN 50155 (Railway) EN 45545-2 (Fire protection)
Accuracy @ 25°C typ.	± 0.3 % FS typ. (± 0.5 % FS typ., ± 1 % FS typ.)		

01/2019

Data sheet H72337c

Subject to change

Ordering information/type code

				8478 . XX	XX	XX	XX	XX	XX
Measuring range ¹⁾	Pressure measurement range [bar]	Over pressure [bar]	Burst pressure [bar]						
	0 ... 0.1	1.2	2	66					
	0 ... 0.16	1.2	2	67					
	0 ... 0.2	1.2	2	68					
	0 ... 0.4	1.2	2	69					
	0 ... 0.6	1.2	2	70					
	0 ... 1.0	2	3	71					
	0 ... 1.6	3.2	4.8	73					
	0 ... 2.5	5	7.5	75					
	0 ... 4	8	12	76					
	0 ... 6	12	15	77					
	0 ... 10	20	25	78					
	0 ... 16	32	40	79					
	0 ... 25	50	75	80					
	0 ... 40	80	100	81					
	0 ... 60	120	180	82					
	Sensor	with temperature compensation							
Relative pressure, Material pressure connection and housing: 1.4305 (AISI303) ^{3) 5)}				54					
Relative pressure, Material pressure connection and housing: 1.4404/1.4435 (AISI316L) ³⁾				56					
Absolute pressure, Material pressure connection and housing: 1.4305 (AISI303) ^{3) 5)}				84					
Absolute pressure, Material pressure connection and housing: 1.4404/1.4435 (AISI316L) ³⁾				86					
without temperature compensation									
Relative pressure, Material pressure connection and housing: 1.4305 (AISI303) ^{4) 5)}					57				
Relative pressure, Material pressure connection and housing: 1.4404/1.4435 (AISI316L) ⁴⁾					59				
Absolute pressure, Material pressure connection and housing: 1.4305 (AISI303) ^{4) 5)}					87				
Absolute pressure, Material pressure connection and housing: 1.4404/1.4435 (AISI316L) ⁴⁾					89				
Pressure connection	G1/4" male								17
	G3/4" frontal membrane ^{2) 6)}								52
Electrical connection	Male electrical plug EN 175301-803-A, Mat. PA								05
	Male electrical plug M12x1, 5-pole, Mat. PBT								35
	Male electrical plug Packard Metri Pack, Mat. PBT								51
Output signal	Signal output	Load resistance	I (supply)	U (supply)					
	4 ... 20 mA	(U _{supply} -9 V) / 20 mA		9 ... 30 VDC					19
Accessories	Seal FKM (-20°C ... +125°C)								61
	Seal CR (-25°C ... +100°C)								62
	Seal EPDM (-25°C ... +125°C)								63
	Pressure peak damping element ø 1.0 mm, material 1.4305 ⁸⁾								40
	Pressure peak damping element ø 0.4 mm, material 1.4305 (sensors 54, 57, 84, 87) resp. 1.4404 (sensors 56, 59, 86, 89) ⁸⁾								44
	Female electrical connector EN 175301-803-A (DIN43650-A)/NBR, -40°C ... +90°C								58
	Female electrical connector EN 175301-803-A (DIN43650-A)/Silicone, -40°C ... +125°C								56
	Female electrical plug M12x1, 5-pole								33
	Special electrical connection: Pin 1 +, Pin 2 - (for male electrical plug EN175301-803-A / DIN43650-A)								92
	Special electrical connection: Pin 1 +, Pin 3 -, Pin 5 Ground (for male electrical plug 35, M12x1, 5-pole)								94
	Special electrical connection: Pin 1 +, Pin 3 - (only for male electrical plug Packard Metri Pack 3-poles)								E4
	Housing nut for electrical connection EN175301-803-A (DIN43650-A) secured with Loctite (max. 85°C)								L9
	Multiple packaging ⁷⁾								VM

¹⁾ Extended overpressure as well as customized pressure ranges upon request

²⁾ Upon request

³⁾ Max. 40 bar or 500 psi

⁴⁾ ≥ 1 bar

⁵⁾ Only with pressure connection 17 (1.4305)

⁶⁾ Only for pressure ranges ≤ 25 bar or 400 psi

⁷⁾ The order quantity must be a multiple of 50, only for electrical connections 05 and 35

⁸⁾ Not for pressure connection 52

Specifications		
Electrical Data	Output / supply voltage	4 ... 20 mA: 24 (9 ... 30) VDC
	Rise time	Typ. 1 ms / 10 ... 90 % nominal pressure
	Switch-on-delay	100 ms
	Inverse-polarity protection, short-circuit strength @ 25°C during 5 min.	4...20 mA: to $U_s = 30$ VDC
Environmental conditions	Media temperature	-25°C ... +125°C
	Ambient temperature	-25°C ... +125°C
	Protection ¹⁾	IP65, IP67
	Humidity	Max. 95 % relative
	Vibration	15 g RMS (20...2000 Hz) (EN60068-2-64) 25 g sin (80...2000 Hz), 1 oct./min, (1x @ 25°C) (EN60068-2-6)
	Shock	50 g / 11 ms 100 g / 6 ms Male electrical plug M12x1 (EN60068-2-27) ³⁾
EMC Protection	Emission	EN/IEC 61000-6-3 EN50121-3-2
	Immunity	EN/IEC 61000-6-2 EN50121-3-2 ²⁾
Mechanical Data	Sensor (wetted parts)	Ceramic, Al ₂ O ₃ (96 %)
	Pressure connection (wetted parts)	1.4404 (AISI316L)
	Housing	1.4404/1.4435 (AISI316L)
	Sealing	FKM 70 Sh, CR, EPDM
	Male electrical plug	See ordering information
	Weight	~ 110 g
	Mounting torque	15 ... 20 Nm

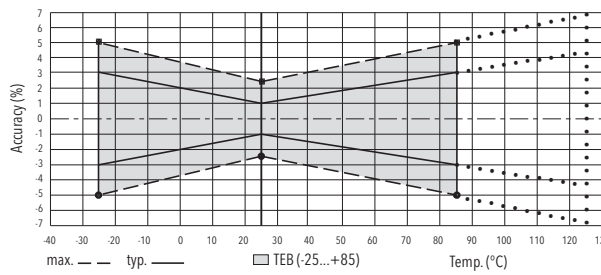
¹⁾ See electrical connection

²⁾ Surge voltage on shield, shield connected on both sides

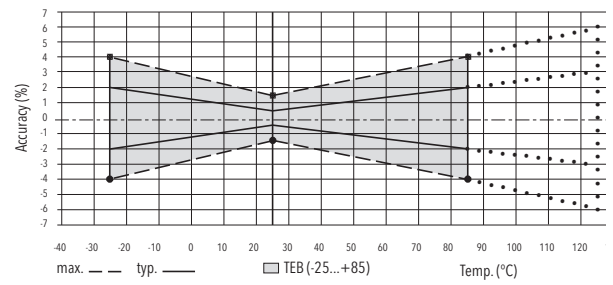
³⁾ For electrical connection 35

Accuracy					
		Sensors 57/87/59/89	Sensors 54/84/56/86		
Pressure measuring range	[bar]	≥ 0 ... 1	> 0 ... 0.4	0 ... 0.2	0 ... 0.1
	[psi]	≥ 0 ... 15	> 0 ... 5	0 ... 0.4	0 ... 0.16
				0 ... 2.5	0 ... 1.5
				0 ... 5	0 ... 2
TEB @ -25 ... +85°C	[% FS typ.]	± 3.0	± 1.0	± 2.0	± 3.0
Accuracy @ +25°C	[% FS typ.]	± 0.5	± 0.3	± 0.5	± 1.0
NLH @ +25°C (BSL)	[% FS typ.]	± 0.2	± 0.2	± 0.3	± 0.3
TC zero point and span	[% FS/K typ.]	± 0.03	± 0.02	± 0.02	± 0.02
Long term stability 1 year @ +25°C	[% FS typ.]	± 0.3	± 0.2	± 0.2	± 0.2

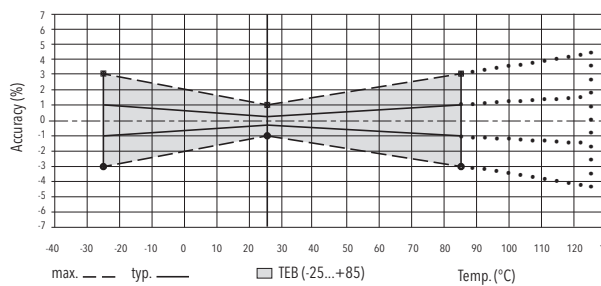
Sensors 54/84/56/86 0 ... 0.1 to 0 ... 0.16 bar



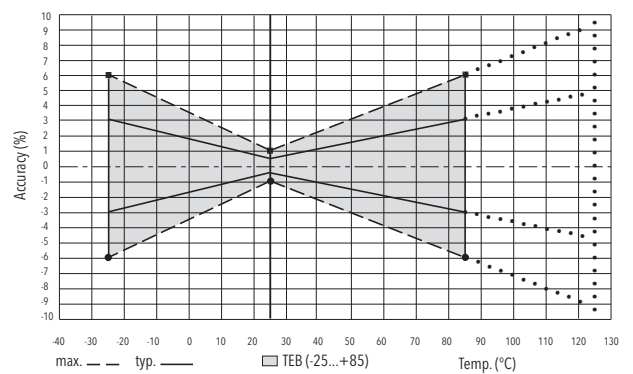
Sensors 54/84/56/86 0 ... 0.2 to 0 ... 0.4 bar



Sensors 54/84/56/86 > 0 ... 0.40 bar



Sensors 57/87/59/89 ≥ 0 ... 1 bar



Additional specifications railways

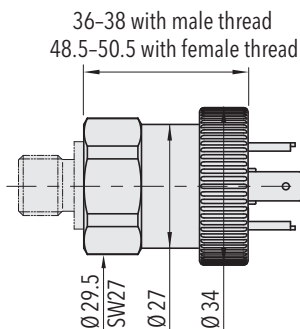
Environmental conditions	Cold	EN 60068-2-1	Ab: -25°C, 2 h (not in operation) Ae: -25°C, 1 h (in operation)
	Dry heat	EN 60068-2-2	Be: 85°C, 6 h (in operation)
	Damp heat, cyclical	EN 60068-2-30	Db: 55°C, variant 1, 2 cycles (2 x 24 h)
	Vibration and shock	EN 61373	Vibration: category 3 Shock: category 3 ^{1) 3)}
	Dielectrical strength	EN 50155	710 VDC
	Resistance of insulation	EN 50155	>100 MΩ, 500 VDC
	Behavior in case of fire (electrical connections 01, 32, 35)	EN 45545-2	Weight: < 10 g Surface: < 0.2 m ²
Supply	Nominal voltage	EN 50155 ²⁾	24 V
	Interruptions of the voltage supply	EN 50155 ²⁾	Class S1
	Switching between two supply voltages	EN 50155 ²⁾	Class C1

¹⁾ In Category 3 the 2010 versions' higher severity levels apply in each case

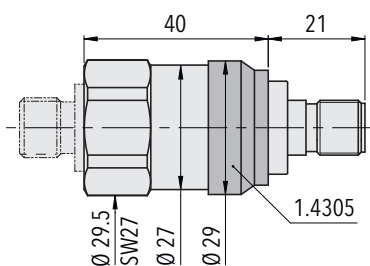
²⁾ Chapter 5.1 Voltage supply

³⁾ Male electrical plug EN 175301-803-A, cat. 2

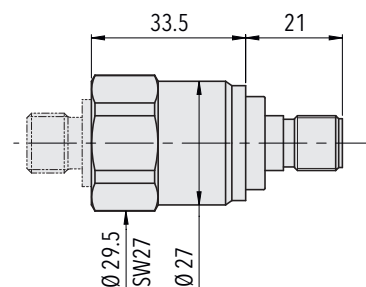
Dimensions



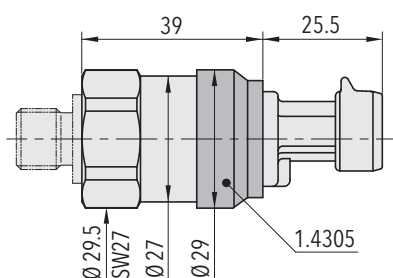
8478.XX.XXXX.05.XX.XX



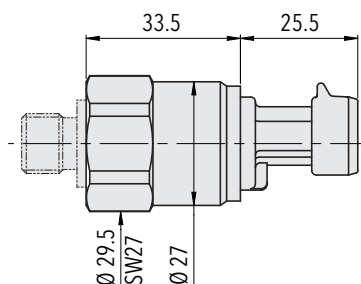
8478.XX.XXXX.35.XX.XX



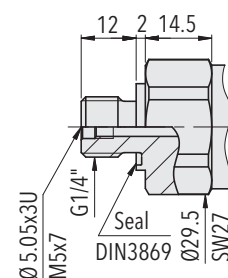
8478.XX.X417.35.XX.XX, ≥ 1.0 bar
8478.XX.X617.35.XX.XX, ≥ 1.0 bar
8478.XX.X717.35.XX.XX, ≥ 1.0 bar
8478.XX.X917.35.XX.XX, ≥ 1.0 bar



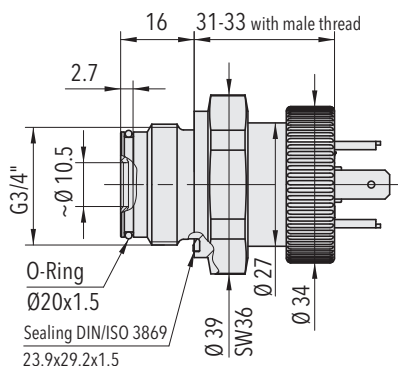
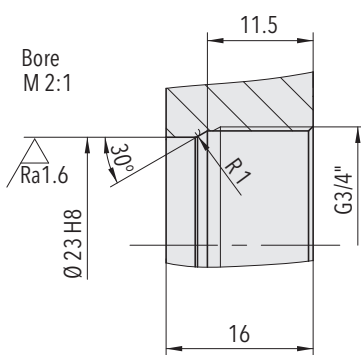
8478.XX.XXXX.51.XX.XX



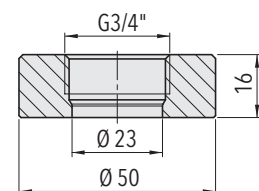
8478.XX.X417.51.XX.XX, ≥ 1.0 bar
8478.XX.X617.51.XX.XX, ≥ 1.0 bar
8478.XX.X717.51.XX.XX, ≥ 1.0 bar
8478.XX.X917.51.XX.XX, ≥ 1.0 bar



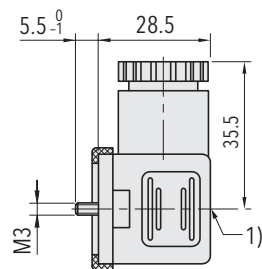
8478.XX.XX17.XX.XX.XX



8478.XX.XX52.XX.XX.XX

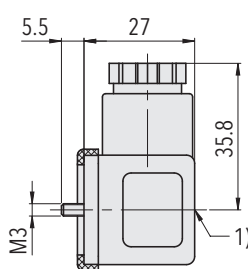


Welding flange for G3/4" frontal membrane (1.4301) Ordering No. C27805



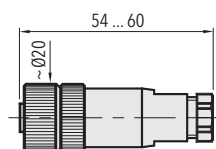
1) Tightening torque 50...60 Ncm

8478.XX.XXXX.XX.XX.58



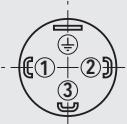
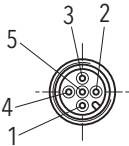
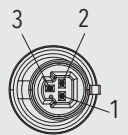
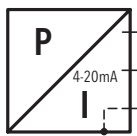
1) Tightening torque 50...60 Ncm

8478.XX.XXXX.XX.XX.56



8478.XX.XXXX.XX.XX.33

Electrical connection

		Protection / electrical connection					
		IP65*)		IP67*)		IP67*)	
		Industrial standard EN175301-803A 05 		M12x1 5-pole 35 		Packard Metri Pack 3-pole 51 	
Output signal		Standard	92	Standard	94	Standard	E4
		2	1	4	1	1	1
	U _S (pos. Supply)	1	2	1	3	2	3
	U _S (neg. Supply)	⊖	⊖	5	5		
	Earth (housing)						
	Shield***)						
8478.XX.XXXX.XX.19							

*1) Provided female connector is mounted according to instructions

***1) Only cable versions or female electrical plug with shield connection

Additional information

Documents

Data sheet	www.trafag.com/H72337
Instructions	www.trafag.com/H73324
Flyer	www.trafag.com/H70603