

# EX DIFFERENTIAL PRESSOSTAT

Swiss based Trafag is a leading international supplier of high quality sensors and monitoring instruments for measurement of pressure and temperature.



## Applications

- Ex II 2 G / D

## Features

- Rugged aluminium housing
- Protection IP66
- Ex db eb IIC T6 Gb
- Ex tb IIIC T80°C Db
- Any mounting position possible

Technical Data			
Measuring principle	Bellow	Repeatability	± 1.0 % FS typ.
Measuring range	-1 ... 6 to -1 ... 18 bar	Media temperature	-50°C ... +150°C
Differential pressure	-0.6 ... 3.4 to 1 ... 16 bar	Ambient temperature	-50°C ... +65°C
Output signal	1 Floating change-over contact (SPDT)	Approval / conformity	SEV 15 ATEX 0157 X IECEX SEV 17.0013X
Switching differential	Not adjustable	Type of protection	Areas with gas explosion hazards: II 2 G Ex db eb IIC T6 Gb; Areas with dust explosion hazards: II 2 D Ex tb IIIC T80°C Db

11/2017

Data sheet H72256p

Subject to change

## Ordering information/type code

		XXX	XX	XX	XXX	XX	XX
<b>Custom build code</b>	With display and adjusting screw	920					
	Without display, with adjusting screw	924					
	With display and adjusting knob	932					
<b>Microswitch</b>	Standard, not adjustable		91				
<b>Range</b>	<b>Range [bar]</b>	<b>Differential pressure [bar]</b>	<b>Over pressure [bar]</b>	<b>Burst pressure [bar]</b>			
	-1 ... 6	-0.6 ... 3.4	12	26			74
	-1 ... 6	0 ... 4	12	26			76
	-1 ... 8	0 ... 6	12	26			77
	-1 ... 12	1 ... 10	24	36			78
	-1 ... 18	1 ... 16	24	36			79
<b>Sensor</b>	<b>Sensor material</b>	<b>Sensor housing material</b>	<b>Thread</b>	<b>Range</b>			
	1.4435	Brass nickel plated	G1/8" female	74			881
	1.4435	Brass nickel plated	G1/8" female	76, 77			883
	1.4435	Brass nickel plated	G1/8" female	78, 79			885
	Bronze	Brass	G1/8" female	74			942
	Bronze	Brass	G1/8" female	76, 77			943
	Bronze	Brass	G1/8" female	78, 79			944
	Bronze	Brass nickel plated	G1/8" female	74			992
	Bronze	Brass nickel plated	G1/8" female	76, 77			993
Bronze	Brass nickel plated	G1/8" female	78, 79			994	
<b>Fixing</b>	Direct on sensor or housing						00
	With mounting bracket						31
<b>Accessories</b>	Adapter G1/8" male - G1/2" male, brass						A6
	Adapter G1/8" male - G1/2" male, brass nickel plated						B6
	Adapter G1/8" male - G1/2" male, stainless steel 1.4435						D6
	Adapter G1/8" male - G1/4" female, brass						A5
	Adapter G1/8" male - G1/4" female, brass nickel plated						B5
	Adapter G1/8" male - G1/4" female, stainless steel 1.4435						D5
	Damping elements and snubber see data sheet H72258						

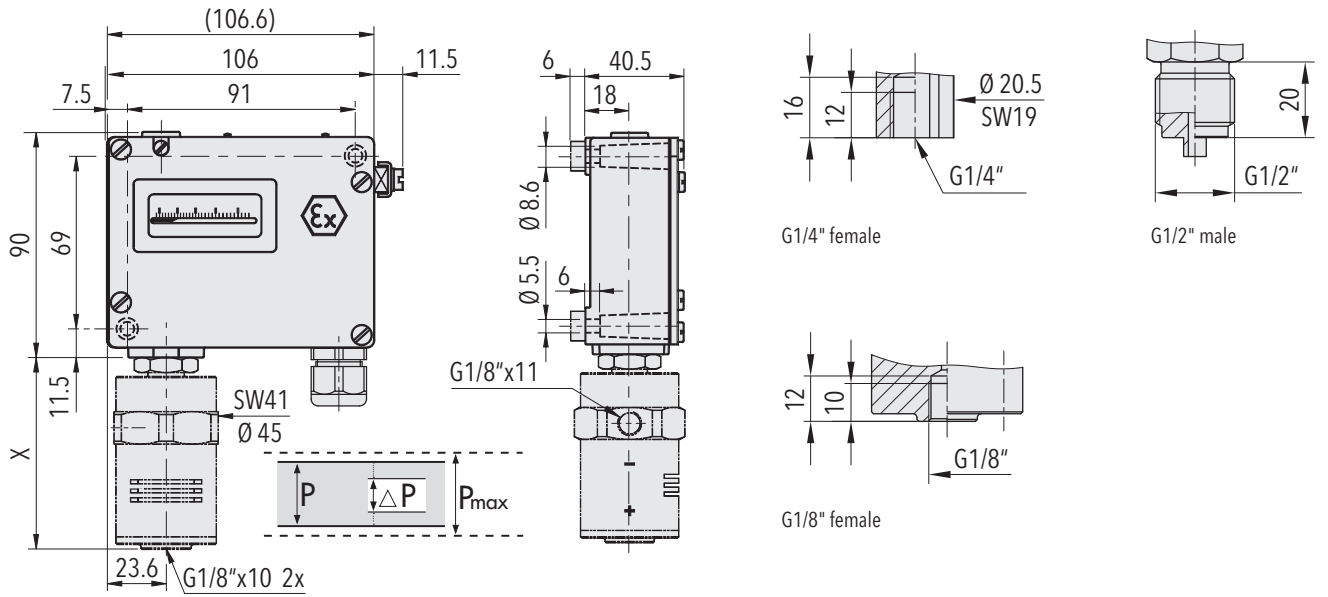
## Standard products (extra short lead time)

Product No.	Type Code	Pressure range [bar]	Differential pressure [bar]	Over pressure max. [bar]	Switching differential [bar]	Length X [mm]
EXPD3.4	920 9174 992 00 0000 0000 02	-1 ... +6	-0.6 ... +3.4	12	0.4 (fixed)	77
EXPD6	920 9177 993 00 0000 0000 02	-1 ... +8	0 ... 6	12	0.4 (fixed)	77
EXPD16	920 9179 994 00 0000 0000 02	-1 ... +18	1 ... 16	24	0.7 (fixed)	87

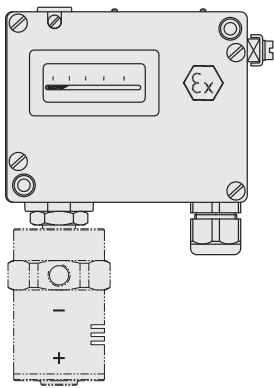
Specifications		
<b>Accuracy</b>	Repeatability	± 1.0 % FS typ.
	Scale accuracy typ.	± 2.0 % FS typ.
	Switching differential	See table
	Adjustment range switchpoint <sup>1)</sup>	10% ... 90% FS
<b>Environmental conditions</b>	Ambient temperature	-50°C ... +65°C
	Media temperature	-50°C ... +150°C
	Storage temperature	-50°C ... +65°C
	Protection	IP66
	Humidity	Max. 95 % relative
	Vibration	5...25 Hz: ±1.6 mm 25...100 Hz: 4g
	Shock	50g/ 11ms
<b>Mechanical Data</b>	Sensor	See ordering information
	Housing	AlSi10Mg/ Epoxy coated
	Sealing	NBR
	Screwed cable gland	Polyamide
	Mounting torque	Max. 25 Nm
	Installation	any position
	Weight	~ 610 g
<b>Microswitch</b>	Rating	See table
	Resistance of insulation	> 2 MΩ
	Dielectric strength	1.5 kV
	Life time (mechanical)	1 Mio. cycles
<b>Electrical connection</b>	Electrical connections	Terminal screw
	Cable gland	M20x1.5/SW24 Cable-Ø 5.5...13 mm Approval: PTB 99 ATEX 3128 X
	Terminal screw	3 x 0.5...1.5 mm <sup>2</sup>

<sup>1)</sup> Other adjustment ranges upon request

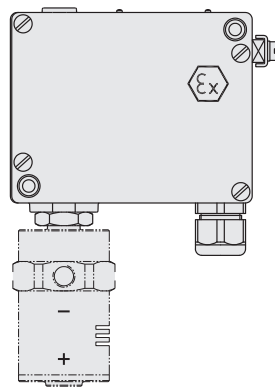
## Dimensions



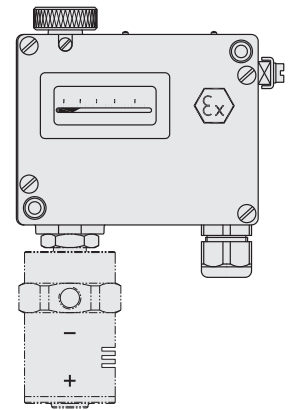
Dimension X see data sheet H72271



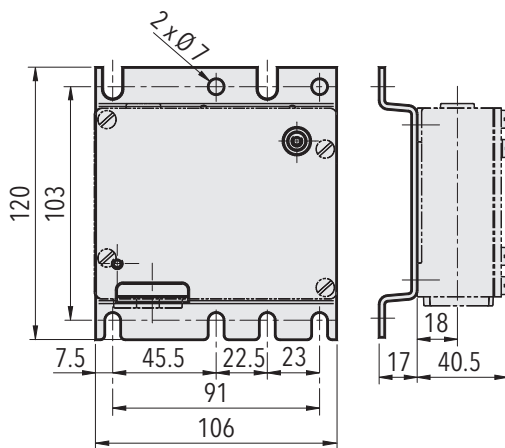
920



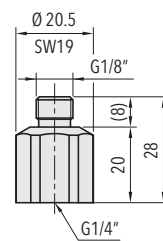
924



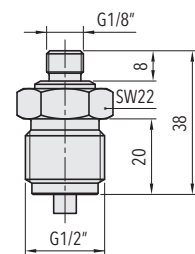
932



9XX.XX.XX.XXX.31.XX



A5/B5/D5



A6/B6/D6

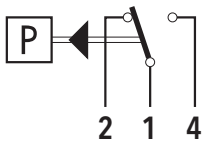
## Switching differential typ. @ 25°C

Measuring range of bellows sensor	[bar]	-0.6 ... 3.4	1 ... 10
		0 ... 4	1 ... 16
		0 ... 6	
Microswitch 91	[bar]	0.4	0.9
Switching differential (not adjustable)			

## Electrical data switch

Type	Features	Rating	
		Resistive Load (Inductive Load)	
		AC	DC
91	Standard Ex	250V 5(5) A 125V 5(5) A	250 V 0.25 (0.03) A 125 V 0.5 (0.06) A 75 V 0.75 (0.25) A 50 V 1 (1) A 30 V 5 (3) A 15 V 5 (3) A

## Electrical connection



Switch 91

## Additional information

Documents	Data sheet	<a href="http://www.trafag.com/H72256">www.trafag.com/H72256</a>
	Instructions	<a href="http://www.trafag.com/H73171">www.trafag.com/H73171</a>
	Flyer	<a href="http://www.trafag.com/H70922">www.trafag.com/H70922</a>