

DIFFERENTIAL PRESSURE TRANSMITTER

Swiss based Trafag is a leading international supplier of high quality sensors and monitoring instruments for measurement of pressure and temperature.



Applications

- Shipbuilding
- Engine manufacturing

Features

- High zero point stability
- High resistance to pressure cycling
- EMC protection, IEC 61000



Technical Data			
Measuring principle	Thin film on steel	Media temperature	-25°C ... +125°C
Measuring range	0 ... 1 to 0 ... 16 bar	Ambient temperature	-25°C ... +85°C
Output signal	4 ... 20 mA (P1-P2)	Approval / conformity	BV, DNV, RINA
Accuracy @ 25°C typ.	± 0.8 % FS typ		

01/2017

Data sheet H72218k

Subject to change

Ordering information/type code

				8204 . XX	XXXX	XX	XX
Measuring range ¹⁾	Pressure measurement range [bar]	Maximum system pressure [bar]	Overpressure on one side [bar]				
	0 ... 1.0	2.5	6	71			
	-1 ... 1.5	6	15	55			
	0 ... 2.5	6	15	75			
	-1 ... 5	16	32	58			
	0 ... 6	16	32	77			
	0 ... 10	40	80	78			
	0 ... 16	40	80	79			
Pressure connection	G1/4" female			2210			
Fixing	Fixing Standard						00
	Wall mounting bracket						31
Accessories	 Connector with marine cable gland DIN89280, M24x1.5 (Cable-ø 14...16.5)						27
	 Connector with marine cable gland DIN89280, M18x1.5 (Cable-ø 8...10.5)						40
	Damping elements and Snubber: See specification sheet H72258						

¹⁾ Customized pressure ranges upon request

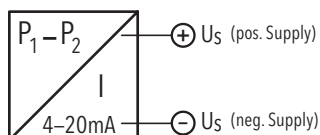
Standard products (extra short lead time)

Product No.	Type Code	Differential pressure (measuring range) [bar]	Maximum system pressure [bar]	Over pressure max. [bar]	Supply [VDC]	Accuracy @ 25°C typ. [%]
ND1.0	8204 71 2210	0 ... 1.0	2.5	6	12 ... 34	± 0.8
ND1.5	8204 55 2210	-1 ... 1.5	6	15	12 ... 34	± 0.8
ND2.5	8204 75 2210	0 ... 2.5	6	15	12 ... 34	± 0.8
ND5	8204 58 2210	-1 ... 5.0	16	32	12 ... 34	± 0.8
ND6	8204 77 2210	0 ... 6.0	16	32	12 ... 34	± 0.8

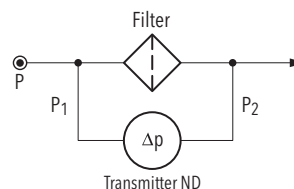
Specifications		
Accuracy	TEB typ. @ -25 ... +85°C	± 3.5 % FS typ.
	Accuracy @ 25°C typ.	± 0.8 % FS typ.
	NLH @ 25°C (BSL) typ.	± 0.5 % FS typ.
	TC zero point and span typ.	± 0.04 % FS/K typ.
	Long term stability 1 year typ.	± 0.4 % FS typ.
Electrical Data	Output / supply voltage	4 ... 20 mA; 24 (12 ... 34) VDC
	Load	$U_{\text{supply}} - 12\text{V}/20\text{ mA}$
	Rise time	typ. 1 ms/10...90 % nominal pressure
Environmental conditions	Media temperature	-25°C ... +125°C
	Ambient temperature	-25°C ... +85°C
	Protection ¹⁾	Min. IP65
	Humidity	Max. 95 % relative
	Vibration	6g (25...2000 Hz)
	Shock	50g/ 1 ms
EMC Protection	Emission	EN/IEC 61000-6-3
	Immunity	EN/IEC 61000-6-2
Mechanical Data	Electrical connections	Terminal screw 0.75 ... 2.5 mm ²
	Screwed cable gland	M20x1.5 Cable-Ø 6...13 mm
	Sensor (wetted parts)	1.4542 (AISI630)
	Pressure connection (wetted parts)	1.4542 (AISI630)
	Housing	AlSi10Mg/ Epoxy coated
	Sealing	NBR 70 Sh
	Weight	~ 720 g
	Mounting torque	25 Nm

¹⁾ Provided female connector is mounted according to instructions

Electrical Connection

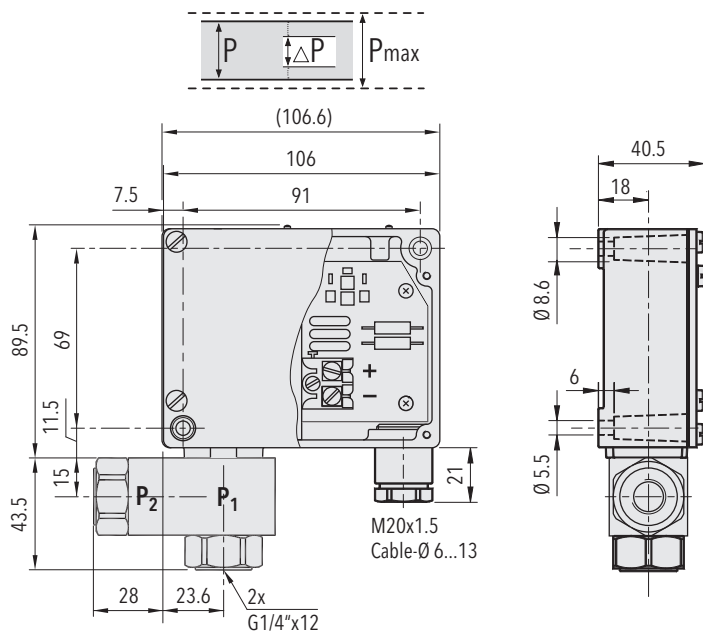


Functional diagram

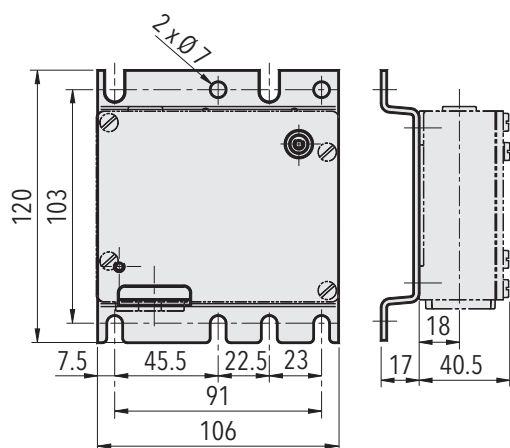


Δp = Differential Pressure
 P_1 = Higher pressure
 P_2 = Lower pressure
 P = System pressure

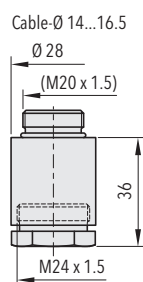
Dimensions



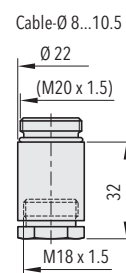
8204.XX.2210.XX.XX



8204.XX.2210.31.XX



8204.XX.XXXX.XX.27



8204.XX.XXXX.XX.40

Additional information

Documents

Data sheet	www.trafag.com/H72218
Instructions	www.trafag.com/H73218
Flyer	www.trafag.com/H70678