

KOMBI - Float Switch with integrated PT100

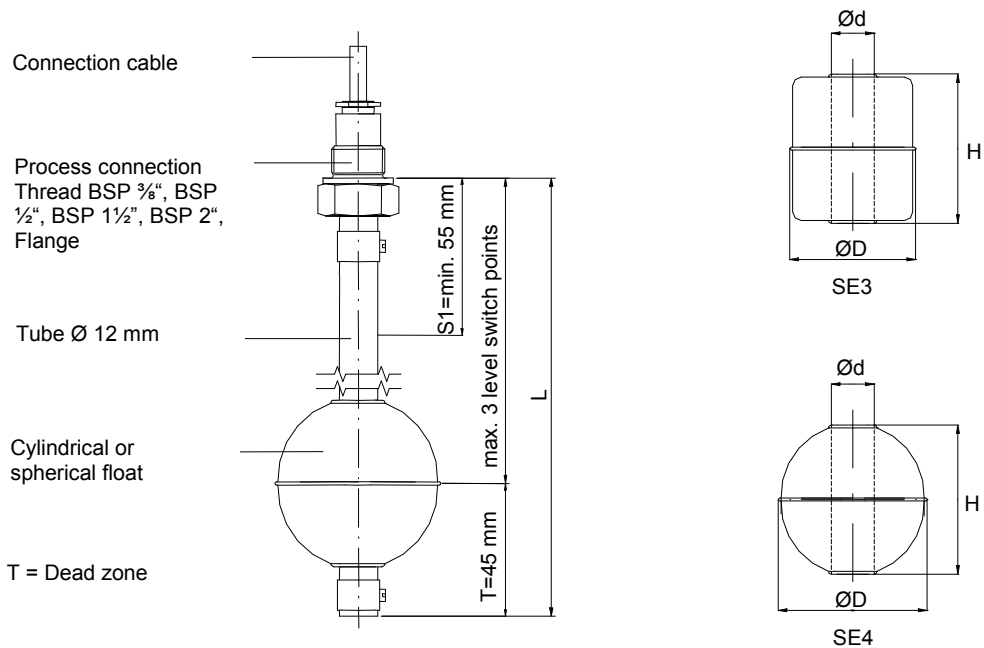
TN 231

in stainless steel 316Ti

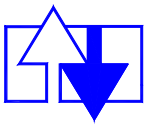
Level Switch Points (max. 3 switch points)		
Max. Power	Opener / Closer:	230 V AC; 100 VA; 1 A AC
		230 V DC; 50 W; 0,5 A DC
	Change-over switch:	230 V AC; 40 VA; 1 A AC
		230 V DC; 20 W; 0,5 A DC
Switch function	opener / closer / change-over switch with a rising liquid level	
Temperature: PT100, Output: PT100		
Temperature sensor	PT100 Class B	
	DIN IEC 751	
Technical Data		
Tube length L	Standard: up to 6000 mm, > 6000 mm on request	
Process connection	Thread BSP 3/8", BSP 1/2", BSP 1 1/2", BSP 2", flange DN50 PN16, other types on request	
Installation position	vertical, ± 30°	
Medium density	≥ 750 kg/m ³	
Temperature of medium	-30°C up to +150°C	
Protection	IP 54	
Max. pressure	4,0 MPa	
Switch points	max. 3 level switch points	



Dimensions



Float type	Dimensions			Max. operating pressure (MPa)	Max. operating temperature (°C)	Medium density kg/m ³	Material
	Ø D (mm)	Ø d (mm)	H (mm)				
SE3 Cylindrical float	44	15	52	1,6	150	≥ 750	316Ti
SE4 Spherical float	52	15	52	4,0	150	≥ 750	316Ti



Product overview / Order table

TN 231

Process connections (installation: vertical, ± 30°)

- A Fixing screw thread BSP 3/8", 316Ti
- B Fixing screw thread BSP 1/2", 316Ti
- C Fixing screw thread BSP 1 1/2", 316Ti
- D Fixing screw thread BSP 2", 316Ti
- E Flange DIN 2527, Form B, DN50 PN16, 316Ti
- X Other types on request

Tube length L (see dimensioned diagram), Tube in 316Ti
 Tube length from sealing face of process connection
 Tube length L ≤ 6000 mm; L > 6000 mm on request
 Dimensions in mm

Float types

- Z SE3 (cylindrical float Ø44 in 316Ti)
- K SE4 (spherical float Ø52 in 316Ti)
- X Other types on request

Temperature range

- N -30°C up to +80°C
- H -30°C up to +150°C

Switch point number (max. 3 switch points)
 (see dimensioned diagram)

Cable length
 Dimensions in m

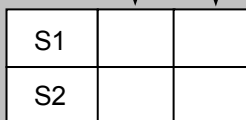


Switch function for level (with a rising liquid level)

- O Opener
- S Closer
- U Change-over switch

Switch position

Switch position from sealing face of process connection in mm



Note!

If you have more than 2 switch points, the min. distance between switch point 2 and switch point 3 is: 80 mm, because for designs with more than two switch points a second float is necessary.

Designs without earthing connection – use low voltage only or external protective earth.

Distributore esclusivo per l'Italia:

TRAFAG ITALIA S.r.l.
 c/o Tecnocity Altomilanese
 Via Cremona 1
 20025 Legnano (MI)

Tel: 0331 592 397
 Fax: 0331 599 815
 www.trafagitalia.com
 info@trafagitalia.com