

### KOMBI - Float Switch with integrated Temperature Switch

## TN 211

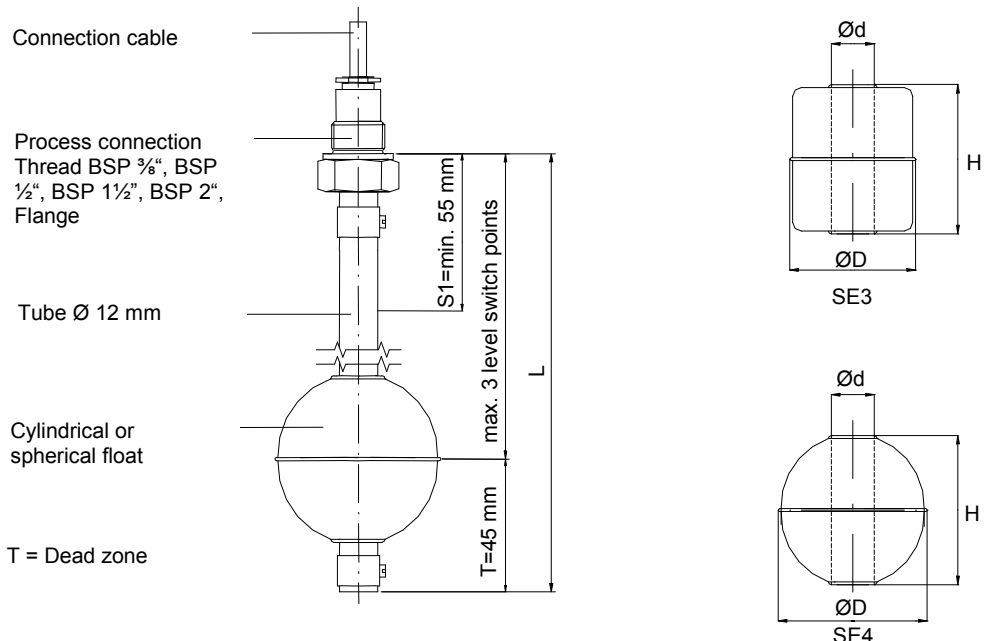
in stainless steel 316Ti

Level Switch Points (max. 3 switch points)		
<b>Max. Power</b>	<b>Opener / Closer:</b>	230 V AC; 100 VA; 1 A AC
		230 V DC; 50 W; 0,5 A DC
	<b>Change-over switch:</b>	230 V AC; 40 VA; 1 A AC
		230 V DC; 20 W; 0,5 A DC
<b>Switch function</b>	opener / closer / change-over switch with a rising liquid level	
Temperature switch points (max. 2 switch points)		
<b>Max. Power</b>	250 V AC 2,5 A; 60 V DC 1 A; (min. 50 mA)	
<b>Switch function</b>	closer or opener	
<b>Temperature sensor</b>	thermocouple	
<b>Temperature range</b>	+ 50°C up to +150°C, selectable in 5°C - steps	
<b>Measuring accuracy</b>	± 5°C	
<b>Hysteresis</b>	± 20°C	



Technical Data			
<b>Installation position</b>	vertical, ± 30°	<b>Tube length L</b>	Standard: up to 6000 mm,
<b>Medium density</b>	≥ 750 kg/m <sup>3</sup>		> 6000 mm on request
<b>Temperature of medium</b>	-30°C up to +150°C	<b>Process connection</b>	Thread BSP 3/8" BSP 1/2",
			BSP 1 1/2", BSP 2",
<b>Protection</b>	IP 54		flange DN50 PN16,
<b>Max. pressure</b>	4,0 MPa		other types on request

### Dimensions



Float type	Dimensions			Max. operating pressure (MPa)	Max. operating temperature (°C)	Medium density kg/m <sup>3</sup>	Material
	Ø D (mm)	Ø d (mm)	H (mm)				
SE3 Cylindrical float	44	15	52	1,6	150	≥ 750	316Ti
SE4 Spherical float	52	15	52	4,0	150	≥ 750	316Ti

