

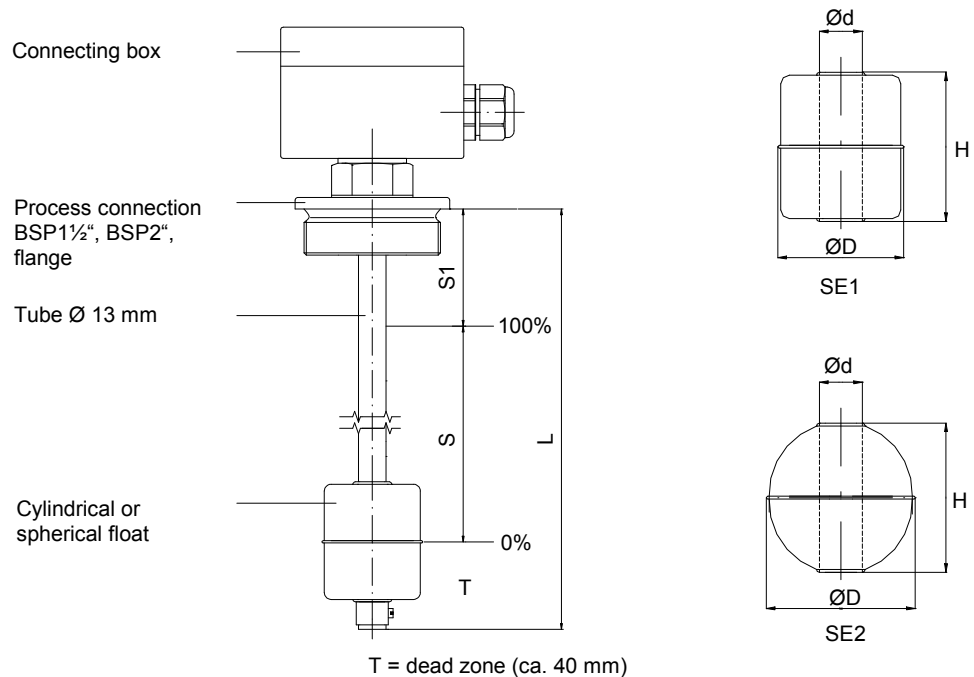
**KOMBI - Level / Temperature combined design output analogue
Level and Temperature 4-20mA in stainless steel 316Ti**

TN 200

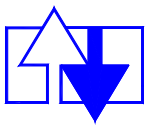
Technical Data	
Supply voltage	12 – 32 V DC
Output for level measuring	4 – 20mA (2-wire)
Output for temperature measuring	4 – 20mA (2-wire)
Max. pressure	4,0 MPa
Medium temperature	-30°C up to +100°C, > +100°C on request
Medium density	≥ 750 kg/m ³
Accuracy for level measuring	12 mm
Accuracy for temperature measuring	0,5% of the measurement range
Measuring element for temperature	PT100 Class B, DIN IEC 751
Connecting box	Aluminium 75 x 80 x 57 mm
	Polycarbonate 80 x 82 x 55 mm
Process connection	Standard: BSP 1½", BSP 2",
	Flange DN50 PN16, other types on request
Tube length L	Standard: up to 6000 mm
	> 6000 mm on request



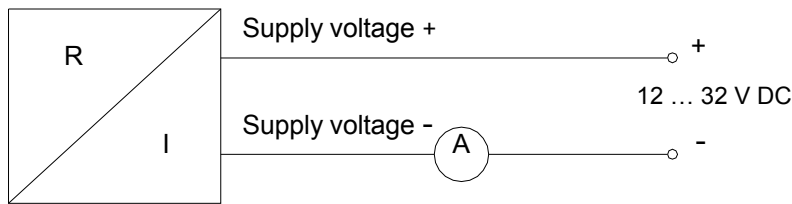
Dimensions



Float type	Dimensions			Max. operating pressure (Mpa)	Max. operating temperature (°C)	Medium density kg/m ³	Material
	Ø D (mm)	Ø d (mm)	H (mm)				
SE1 Cylindrical float	44	15	52	1,6	100	≥ 750	316Ti
SE2 Spherical float	52	15	52	4,0	100	≥ 750	316Ti



Electrical connection



Product overview / Order table

TN 200

Connecting box
 A Aluminium case 75 x 80 x 57 mm, IP66
 B Polycarbonate case 80 x 82 x 55 mm, IP66

Process connections (installation: vertical, ± 30°)
 A Fixing screw thread BSP 1 1/2", 316Ti
 B Fixing screw thread BSP 2", 316Ti
 C Flange DIN 2527, form B, DN 50 PN 16, 316Ti
 X Other types on request

Tube length L (see dimensioned diagram)
 Tube in 316Ti
 Tube length from sealing face of process connection
 Tube length L ≤ 6000 mm; L > 6000 mm on request
 Dimensions in mm

Float types
 Z SE1 (cylindrical float Ø44 in 316Ti)
 K SE2 (spherical float Ø52 in 316Ti)
 X Other types on request

Temperature range
 C -30°C up to +100°C
 D 0°C up to +100°C
 X Other types on request

TN 200							
--------	--	--	--	--	--	--	--

S1= 100% marker for level S1 = distance from sealing face to centre of float

Order instruction: 100% marker S1 in mm, (min. 40 mm)

Distributore esclusivo per l'Italia:

TRAFAG ITALIA S.r.l.
 c/o Tecnocity Altomilanese
 Via Cremona 1
 20025 Legnano (MI)

Tel: 0331 592 397
 Fax: 0331 599 815
 www.trafagitalia.com
 info@trafagitalia.com