

Opto Electronic Level Switch

Limit Switch in stainless steel for detecting the level of liquid media
high temperature version

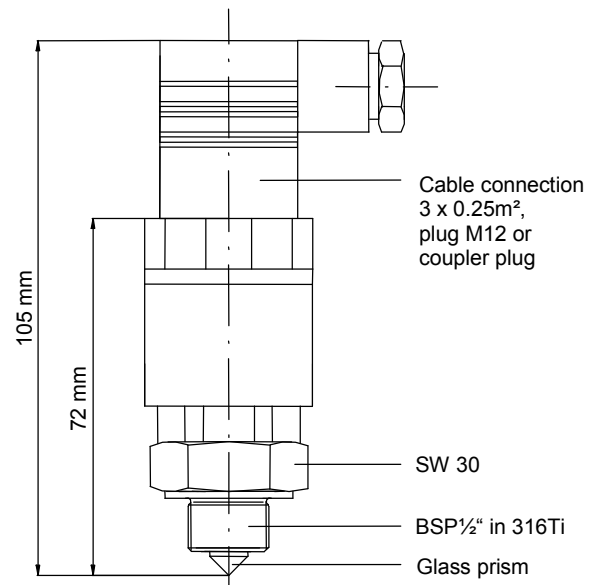
OPG 05

Characteristics

- ▶ Compact construction
- ▶ Reasonable prices
- ▶ Operating temperature: +175°C,
> +175°C on request
- ▶ Max. pressure: 2,5 MPa
- ▶ Mounting direction: any
- ▶ High reliability
- ▶ Measuring accuracy $\pm 0,5$ mm
- ▶ Electrical connection:
cable connection or plug
- ▶ Output PNP
- ▶ Closer or Opener
- ▶ Adjustable sensitivity for any
application

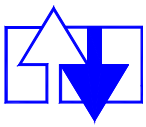


Dimensions



Areas of application

- Plant construction
- Machine tools
- Chemicals and Pharmaceuticals
- Hydraulics
- Machine construction
- Water treatment etc.



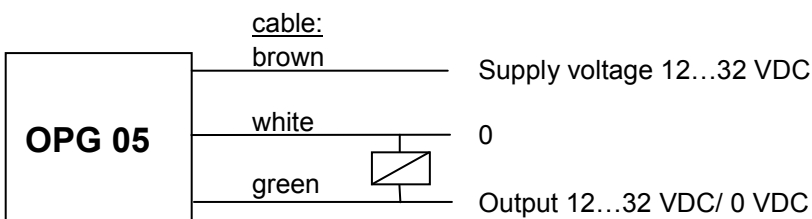
Operating Principle

The electro-optic sensor contains an infrared LED and a light receiver.

Light from the LED is directed into a prism which forms the tip of the sensor. With no liquid present, light from the LED is reflected within the prism to the receiver.

When rising liquid immerses the prism, the light is refracted out into the liquid, leaving little or no light reach the receiver. Sensing this change, the receiver actuates electronic switching within the unit to operate an external alarm or control circuit.

Connection diagram



Pin assignment M12	
1	Supply voltage 12...32 VDC
3	0
4	Output 12...32 V DC/ 0 VDC

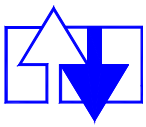
Coupler plug DIN 43650	
1	Supply voltage 12...32 VDC
2	0
3	Output 12...32 V DC/ 0 VDC

Technical Data

Max. pressure	2,5 MPa	Material prism	quartz glass
Ambient temperature	-30°C to +80°C	Min. distance sensor tip to any opposite wall	> 10 mm
Operating temperature	-40°C to +175°C; > +175°C on request	Mounting direction	any
Measuring accuracy	± 0,5 mm	Process connections	BSP ½"
Material housing	parts contacting the medium: in stainless steel 316Ti		other types on request

Electrical Data

Supply voltage	12...32 V DC	Protection	IP65
Supply current max.	40 mA	Electrical connection	cable PVC and PUR
Switch point number	1		3 x 0,25 mm ² ,
Switch function	closer or opener		coupler plug or
Indication of active output	1 LED		plug M12,
Output	PNP Transistor		other types on request



Product overview / order table

OPG 05

Process connection
 A Fixing screw thread BSP $\frac{1}{2}$ "
 X Other types on request

Electrical connection
 2P Connection cable: 2 m PVC 3 x 0,25 mm², Standard
 └ other cable length: dimensions in m
 2U Connection cable: 2 m PUR 3 x 0,25 mm², Standard
 └ other cable length: dimensions in m
 W Coupler plug DIN 43650
 M12 Plug M12
 X Other types on request

Switch function
 S Closer (in medium closed, 12 – 32 V DC)
 O Opener (in medium open, 0 V DC)

Sensitivity
 A Sensitivity not adjustable (**please specify the medium**)
 T Sensitivity adjustable (with poti)

OPG 05							
--------	--	--	--	--	--	--	--

Accessories: Circular plugs M12

Type	Order number	Design
Female plug M12 with	2 m PVC cable	K12PVC 2
	5 m PVC cable	K12PVC 5
	2 m PUR cable	K12PUR 2
	5 m PUR cable	K12PUR 5
Female plug M12, angle type with	2 m PVC cable	W12PVC 2
	5 m PVC cable	W12PVC 5
	2 m PUR cable	W12PUR 2
	5 m PUR cable	W12PUR 5



Colour	
1	brown
3	blue
4	black

Distributore esclusivo per l'Italia:

TRAFAG ITALIA S.r.l.
 c/o Tecnocity Altomilanese
 Via Cremona 1
 20025 Legnano (MI)

Tel: 0331 592 397
 Fax: 0331 599 815
 www.trafagitalia.com
 info@trafagitalia.com

