

Opto Electronic Level Switch

Limit Switch in stainless steel 316Ti with relay output 250V AC / 6A

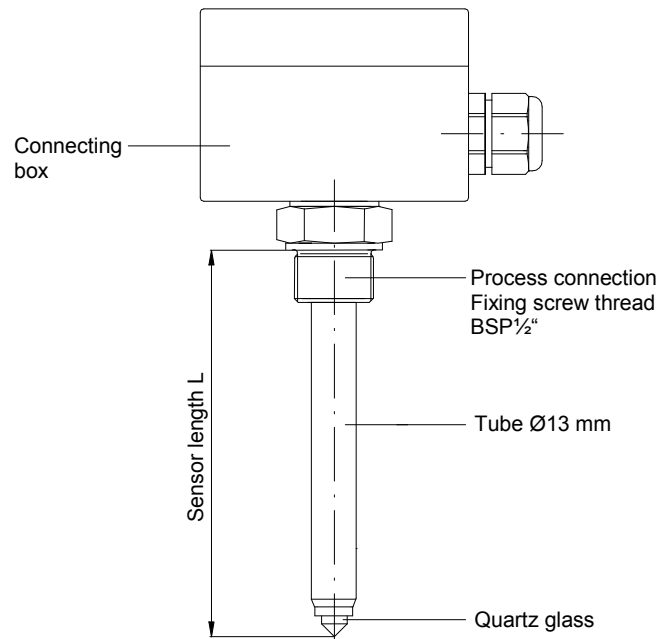
OPG 03

Characteristics

- ▶ No moving parts
- ▶ Reasonable prices
- ▶ Simple to install
- ▶ Mounting direction: any
- ▶ High reliability
- ▶ Long service life
- ▶ Measuring accuracy $\pm 0,5$ mm
- ▶ Electrical connection:
Connecting box
- ▶ Relay output 250V AC / 6A
- ▶ Change-over switch
- ▶ Adjustable sensitivity for any application
(e.g. foam detection)
- ▶ Sensor length:
min. 65 mm, max. 3000 mm

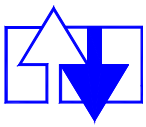


Dimensions



Areas of application

- Plant construction
- Machine tools
- Chemicals and Pharmaceutics
- Hydraulics
- Machine construction
- Water treatment etc.



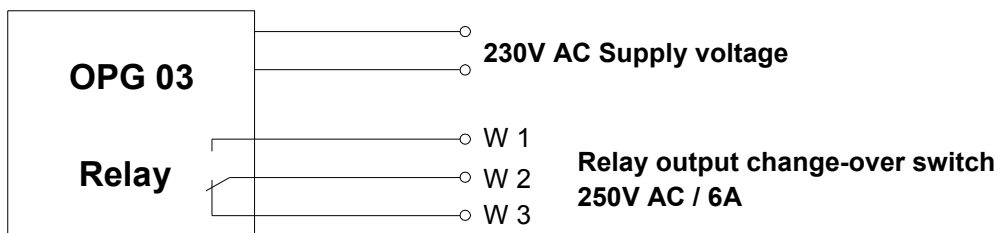
Operating Principle

The electro-optic sensor contains an infrared LED and a light receiver.

Light from the LED is directed into a prism which forms the tip of the sensor. With no liquid present, light from the LED is reflected within the prism to the receiver.

When rising liquid immerses the prism, the light is refracted out into the liquid, leaving little or no light reach the receiver. Sensing this change, the receiver actuates electronic switching within the unit to operate an external alarm or control circuit.

Connection diagram

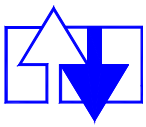


Technical Data

Max. pressure	2.5 MPa	Material prism	quartz glass
Ambient temperature	-30°C to +70°C	Process connections	BSP $\frac{1}{2}$ ", 316Ti, other types on request
Operating temperature	-30°C to +100°C temporary up to max.+150°C	Tube	Ø 13 mm, 316Ti
Measuring accuracy	\pm 0,5 mm	Sensor length L	min. 65 mm max. 3000 mm
Mounting direction	any		
Min. distance sensor tip to any opposite wall	> 10 mm		

Electrical Data

Supply voltage	230V AC	Protection	IP65
Output	250V AC / 6A	Connecting box	Aluminium
Mechanical life AC/DC (cycles)	10 ⁷		75 x 80 x 57 mm, other types on request
Switch point number	1		
Switch function	change-over switch		



Product overview / order table

OPG 03

Process connection

- A Fixing screw thread BSP $\frac{1}{2}$ "
- X Other types on request

Connecting box

- B Aluminium case 75 x 80 x 57 mm, IP65
- X Other types on request

Sensitivity

- A Sensitivity not adjustable (**please specify the medium**)
- T Sensitivity adjustable (with poti)

Sensor length L

Dimensions in mm (length from sealing face of process connection, L min.=65 mm, L max.=3000 mm)



Example: Process connection BSP $\frac{1}{2}$ ", aluminium case, sensitivity not adjustable, length 500 mm: OPG 03 A B A 500

Distributore esclusivo per l'Italia:

TRAFAG ITALIA S.r.l.
c/o Tecnocity Altomilanese
Via Cremona 1
20025 Legnano (MI)

Tel: 0331 592 397
Fax: 0331 599 815
www.trafagititalia.com
info@trafagititalia.com