

ALTERO AMBISTAT

Swiss based Trafag is a leading international supplier of high quality sensors and monitoring instruments for the measurement of pressure and temperature.



Applications

- HVAC
- Refrigeration

Features

- With 1 adjustable step between 2 stages
- Short response time
- Protection IP54
- Electrical connection on terminal screw

Technical Data

Designation of application	Multistage room thermostat	Switching differential	Not adjustable
Measuring range	-45°C ... +15°C to 0°C ... +60°C	Repeatability	± 0.5 % FS typ.
Output signal	Floating change-over contact	Approval / conformity	EN60730-1/ EN60730-2-9: Typ 2.B.H

01/2017

Data sheet H721371

Subject to change

Ordering information/type code

		XXX	XX	XX	XXX	XX	XX
Custom build code	Internal adjustment	198					
	External adjustment	199					
Microswitch	Small switching differential, not adjustable		10				
	Average switching differential, not adjustable		11				
	With gold plated contacts, not adjustable		21				
Range	Range [°C]	Operating temperature [°C]					
	-45 ... +15	-45 ... +30		05			
	-30 ... +30	-30 ... +40		02			
	-20 ... +40	-30 ... +50		06			
	0 ... +30	-30 ... +50		03			
	+10 ... +40	-30 ... +70		04			
	0 ... +60	-30 ... +70		12			
Sensor	Stainless steel (1.4435 / AISI316L)				401		
	Copper				402		
	Copper nickel plated				403		
Fixing ²⁾	Console						19
Accessories	Signal lamp						14
	Switchpoint locking ¹⁾						15
	Switchpoint fixed and sealed upon customer's request ¹⁾						88
	Switchpoint preset upon customer's request, no guarantee on switching accuracy ¹⁾						83
	Switchpoint adjustment please indicate when ordering: - Switchpoint [°C] - Increasing or decreasing						
	Railway version (UIC 616)						28
	Outdoor application (vented)						44
	Desired stage difference to be indicated when ordering (without indication = switches synchronous) Switch 1 on scale, difference switch 2 to scale -6°C ... +15°C						
	Minimum distance between switches: Switch 10: ±1°C Switch 11/21: ±2°C						

¹⁾ Only with type 198, internal adjustment

²⁾ See data sheet H72106

Standard products (extra short lead time)

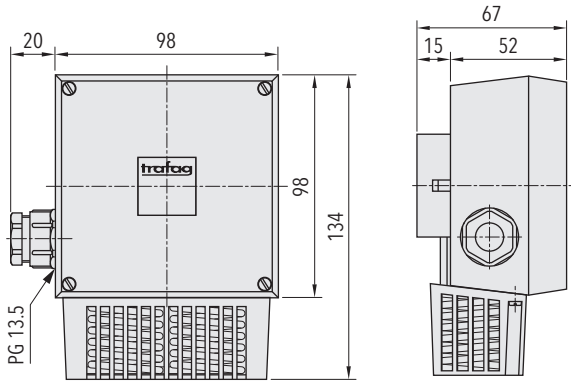
Product No.	Type Code	Temperature range [°C]	Switching differential [°C]	Smallest stage difference [°C]	Largest stage difference [°C]	Operating temperature [°C]
A230	199 1103 402 19	0 ... +30	0.7 (fixed)	-6	15	-30 ... +50
A233	199 1102 402 19	-30 ... +30	0.7 (fixed)	-6	15	-30 ... +40
A260	199 1112 402 19	0 ... +60	0.7 (fixed)	-6	15	-30 ... +70
A2S30	198 1103 402 19	0 ... +30	0.7 (fixed)	-6	15	-30 ... +50
A2S33	198 1102 402 19	-30 ... +30	0.7 (fixed)	-6	15	-30 ... +40
A2S60	198 1112 402 19	0 ... +60	0.7 (fixed)	-6	15	-30 ... +70

Specifications		
Accuracy	Repeatability	$\pm 0.5\%$ FS typ.
	Scale accuracy typ.	$\pm 2\%$ FS typ.
	Switching differential	see table
Environmental conditions	Ambient temperature	see ordering information
	Storage temperature	Range $< +40^{\circ}\text{C}$: $-30\dots+50^{\circ}\text{C}$ Range $> +40^{\circ}\text{C}$: $-30\dots+85^{\circ}\text{C}$
	Protection	IP54
	Humidity	Max. 95 % relative
Mechanical Data	Sensor housing	see ordering information
	Filling	Liquid
	Housing	Noryl
	Screwed cable gland	PA, Polyamid
	Installation	any position
	Weight	$\sim 480\text{ g}$
Microswitch	Rating	see table
	Resistance of insulation	$> 2\text{ M}\Omega$
	Dielectric strength	$U \leq 250\text{V}$: 1.45 kV $U \leq 500\text{V}$: 2 kV terminal ground
	Life time (mechanical)	Microswitch 10/11: 20 Mio. cycles Microswitch 21: 0.5 Mio. cycles
Electrical connection	Cable gland	PG13.5 Cable- \emptyset 5...12.5 mm
	Terminal screw	$6 \times 1\dots 2.5\text{ mm}^2$

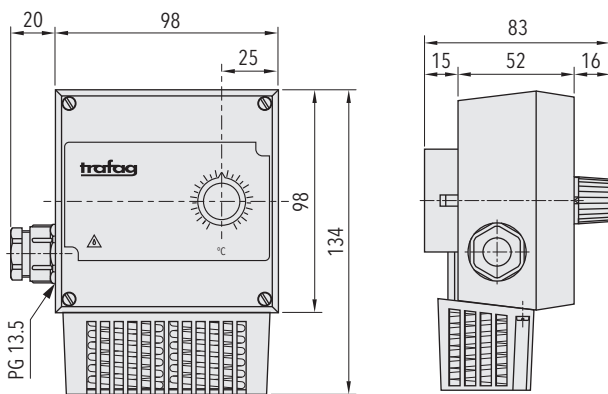
Additional information

Documents	Data sheet	www.trafag.com/H72137
	Instructions	www.trafag.com/H70311
	Flyer	www.trafag.com/H70962

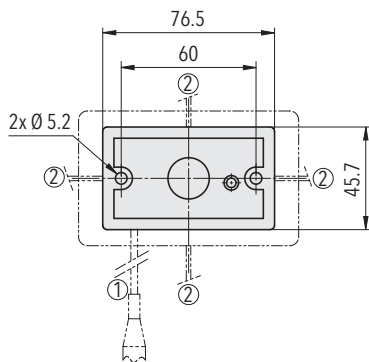
Dimensions



198.XXXX.XXX.XX.XX



199.XXXX.XXX.XX.XX



19X.XXXX.XXX.19.XX

Switching differential typ.

Range	[°C]	-45 ... +15 -30 ... +30 -20 ... +40 0 ... +30 +10 ... +40 0 ... +60
Microswitch 10 Switching differential (fixed value, not adjustable)	[°C]	0.3
Microswitch 11 Switching differential (fixed value, not adjustable)	[°C]	0.7
Microswitch 21 Switching differential (fixed value, not adjustable)	[°C]	0.7

Electrical data switch

Type	Features	Rating	
		Resistive Load (Inductive Load)	
		AC	DC
10	Small switching differential, not adjustable	125 V, 10 (1.5) A 250 V, 10 (1.25) A	250 V, 0.2 (0.02) A 125 V, 0.4 (0.03) A 30 V, 2 (1) A 14 V, 15 (2.5) A
11	Average switching differential, not adjustable	125 V, 15 (1.5) A 250 V, 15 (1.25) A 500 V, 10 (0.75) A	250 V, 0.25 (0.03) A 125 V, 0.5 (0.05) A 30 V, 6 (1.5) A 14 V, 15 (1.5) A
21	Gold plated contacts, not adjustable	24 V, 0.1 (0.1) A 12 V, 1 (1) A 5 V, 2 (2) A	24 V, 0.1 (0.1) A 12 V, 1 (1) A 5 V, 2 (2) A

Electrical Connection

